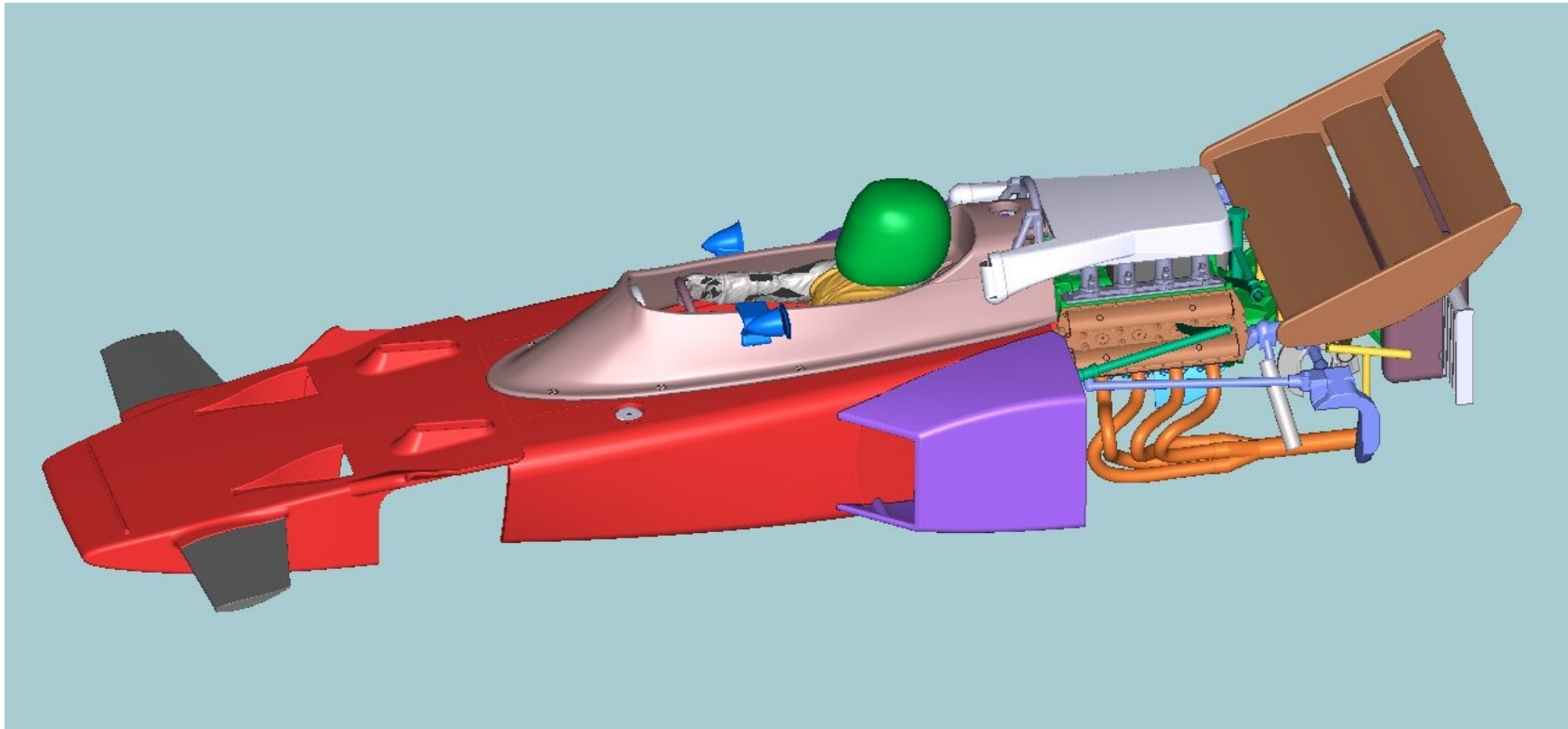
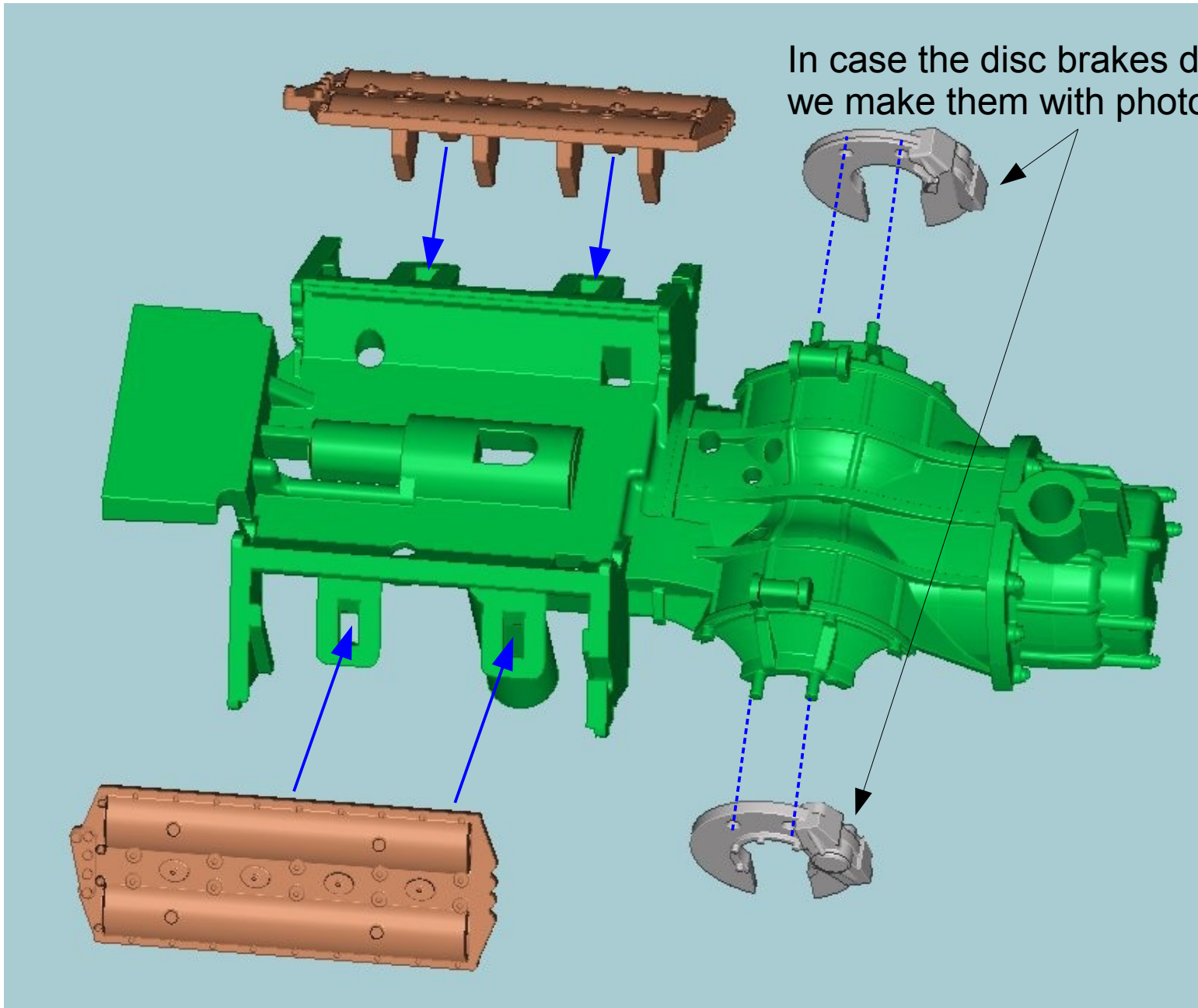
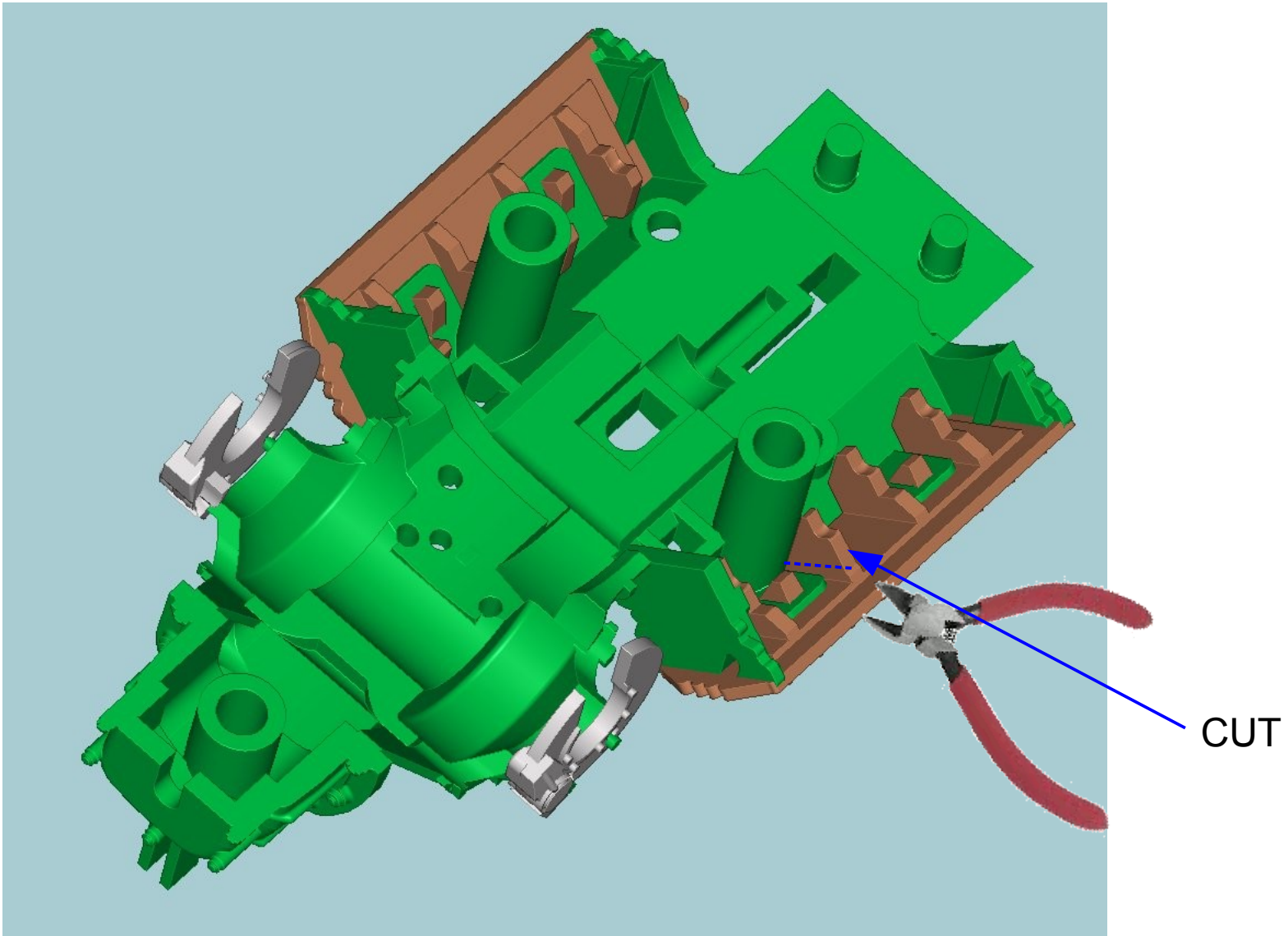


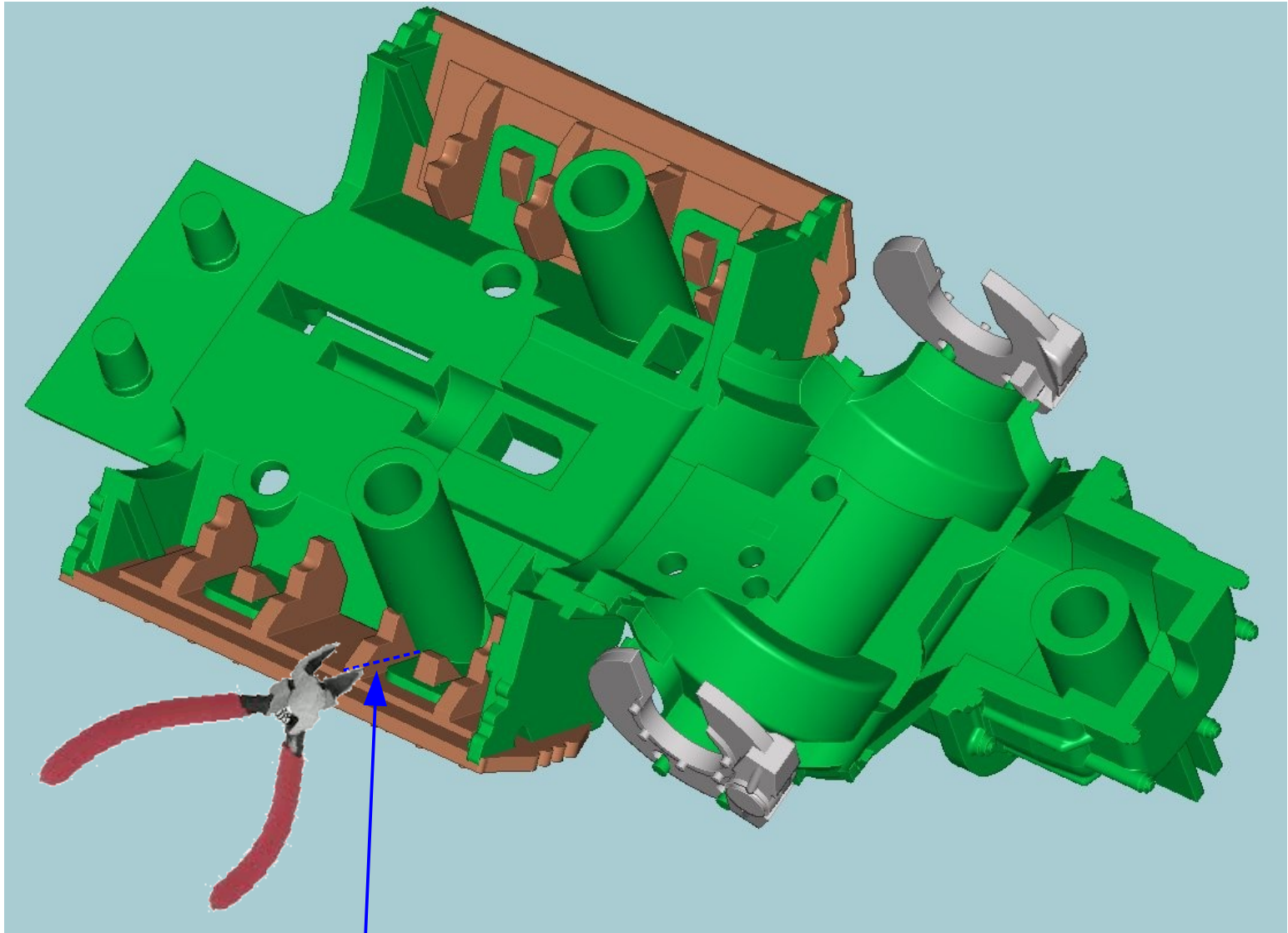
Lotus 72 CAR02a Instructions



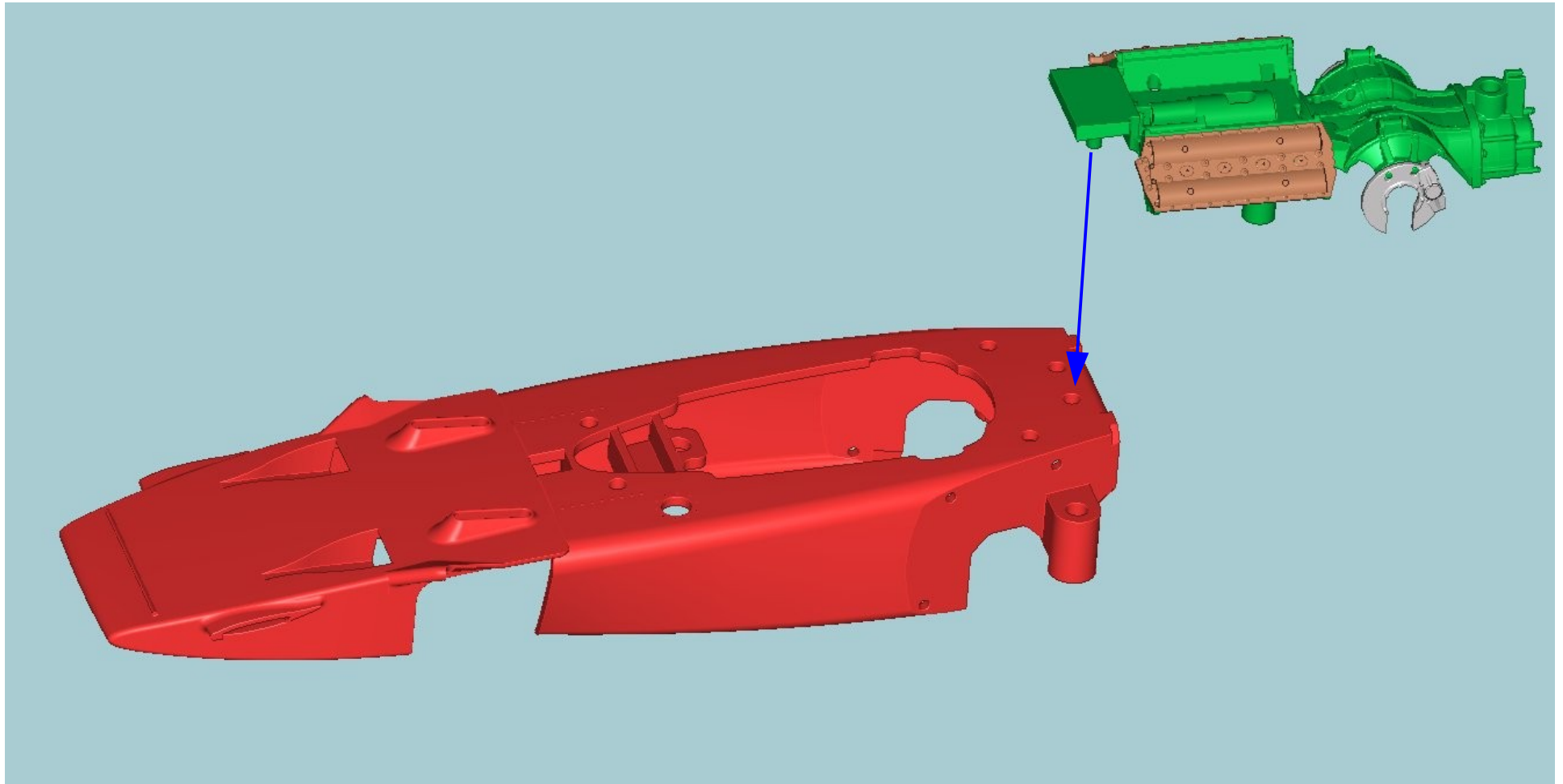


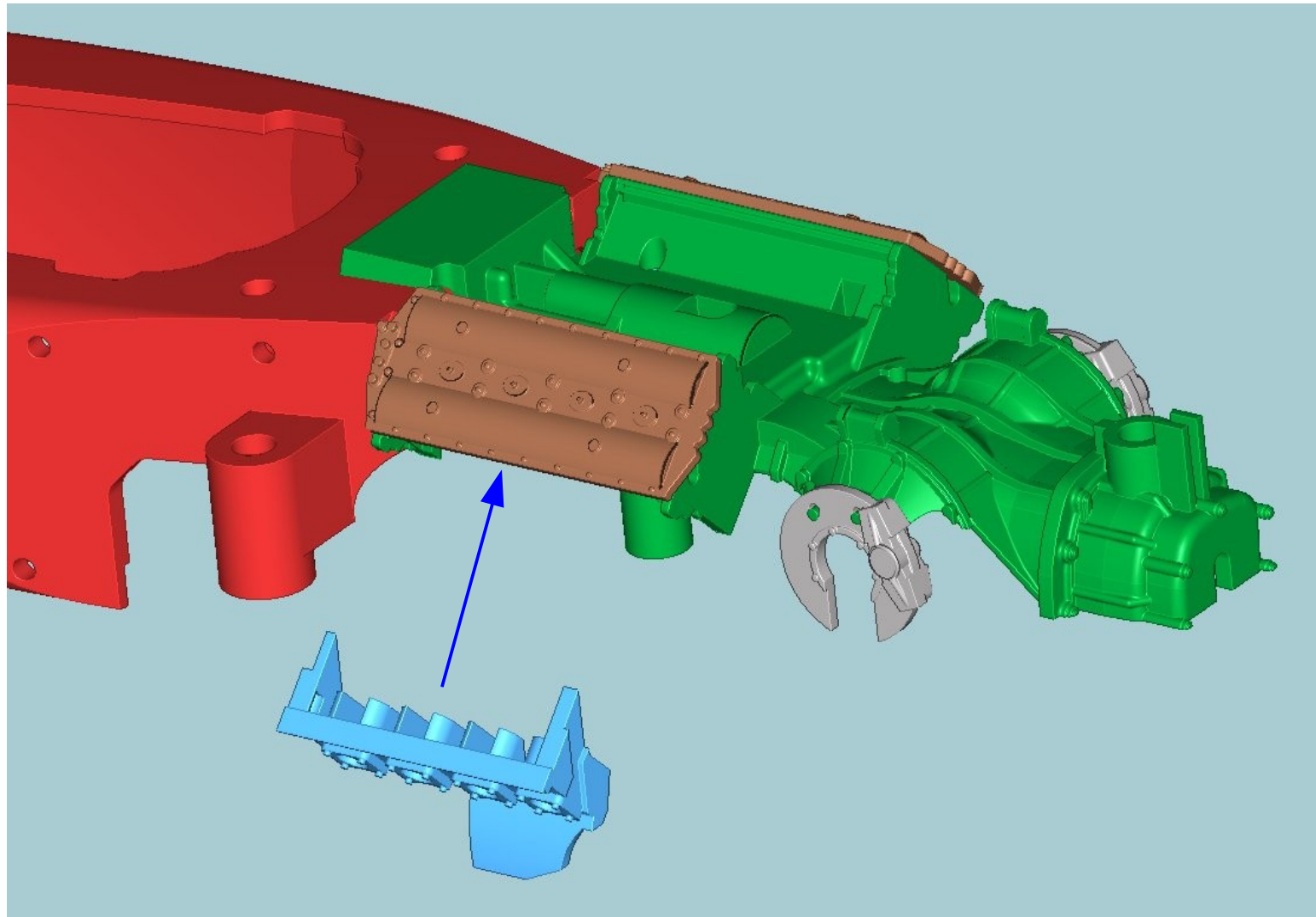
In case the disc brakes don't fit we make them with photo etching

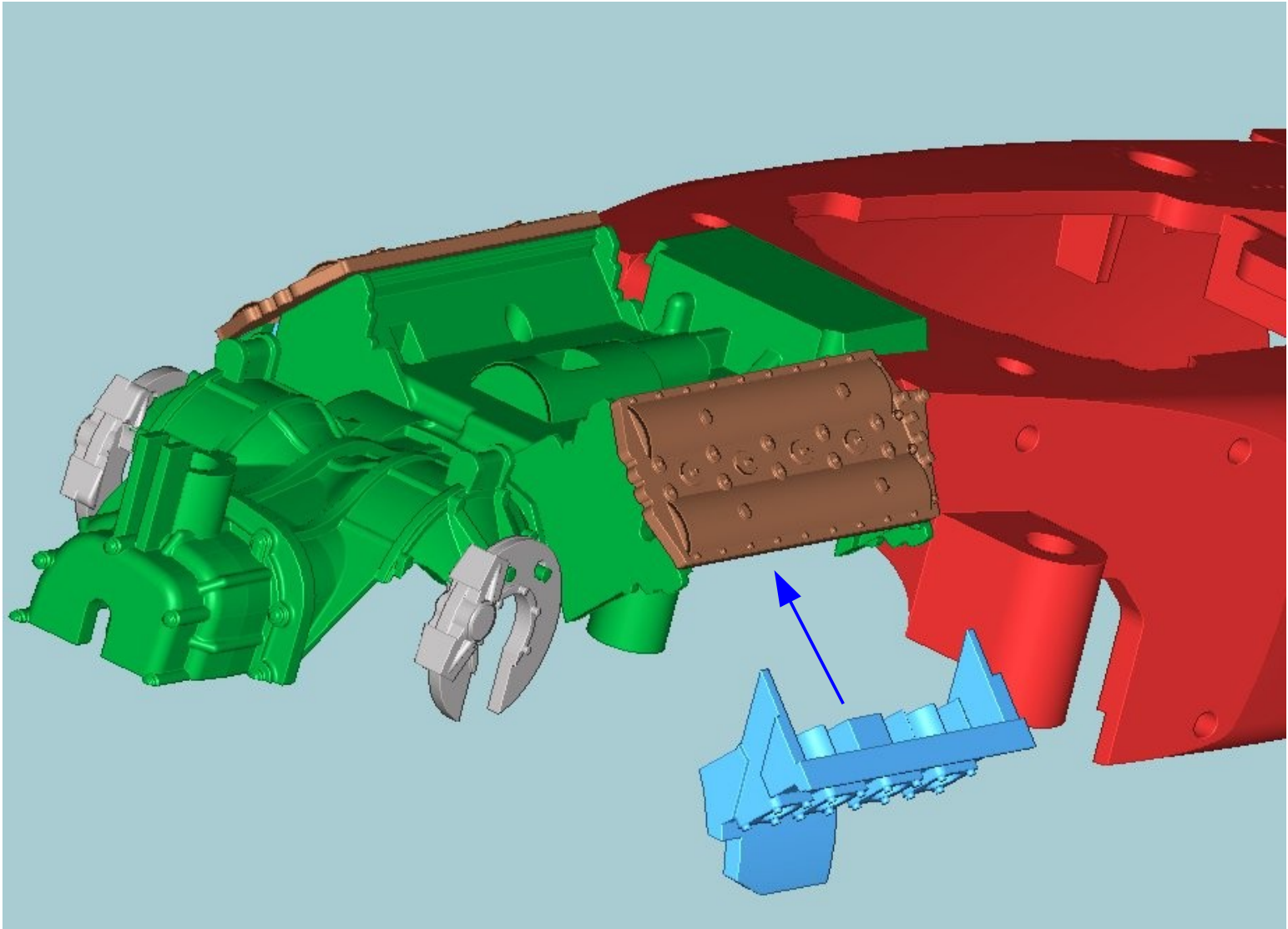


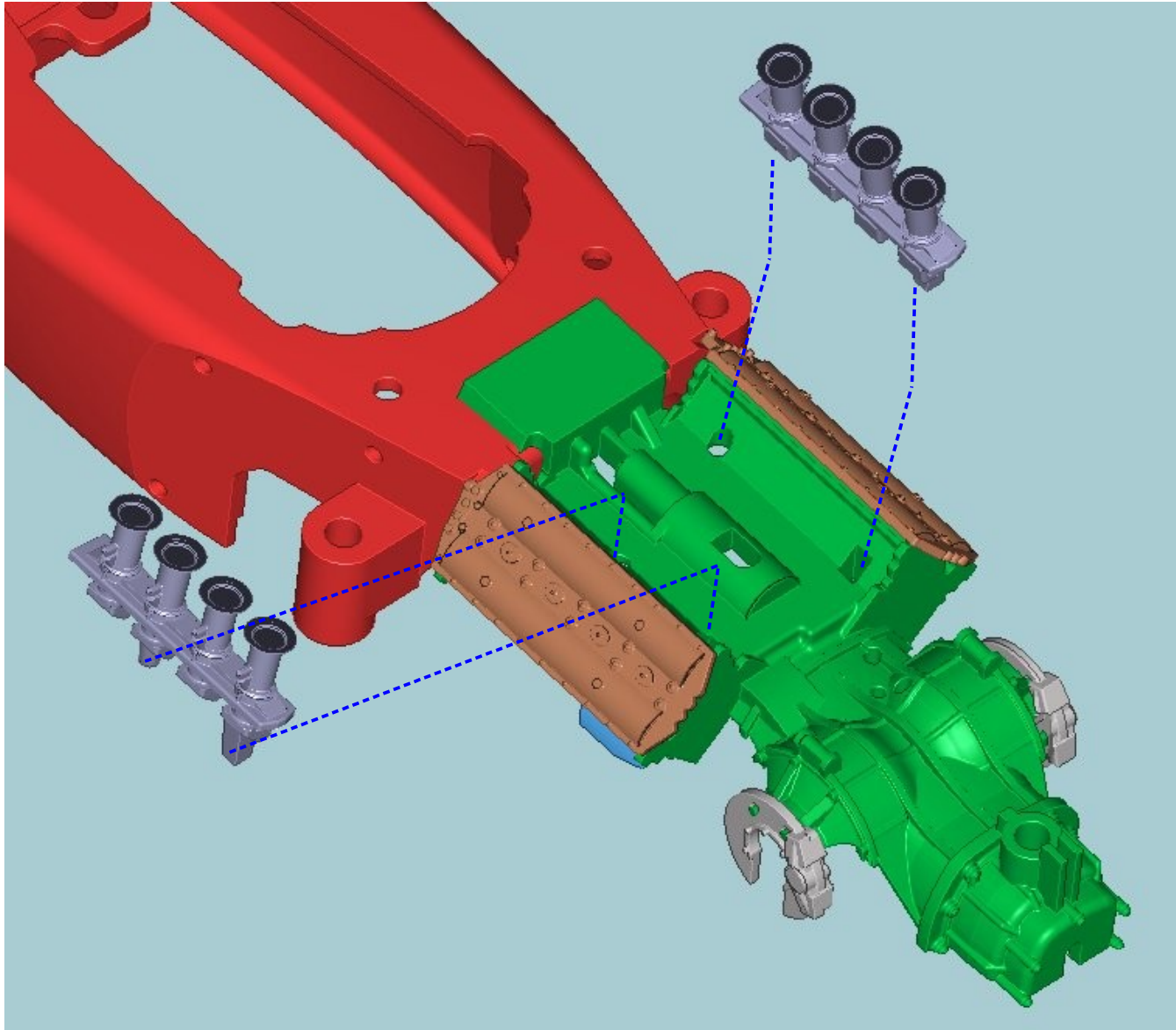


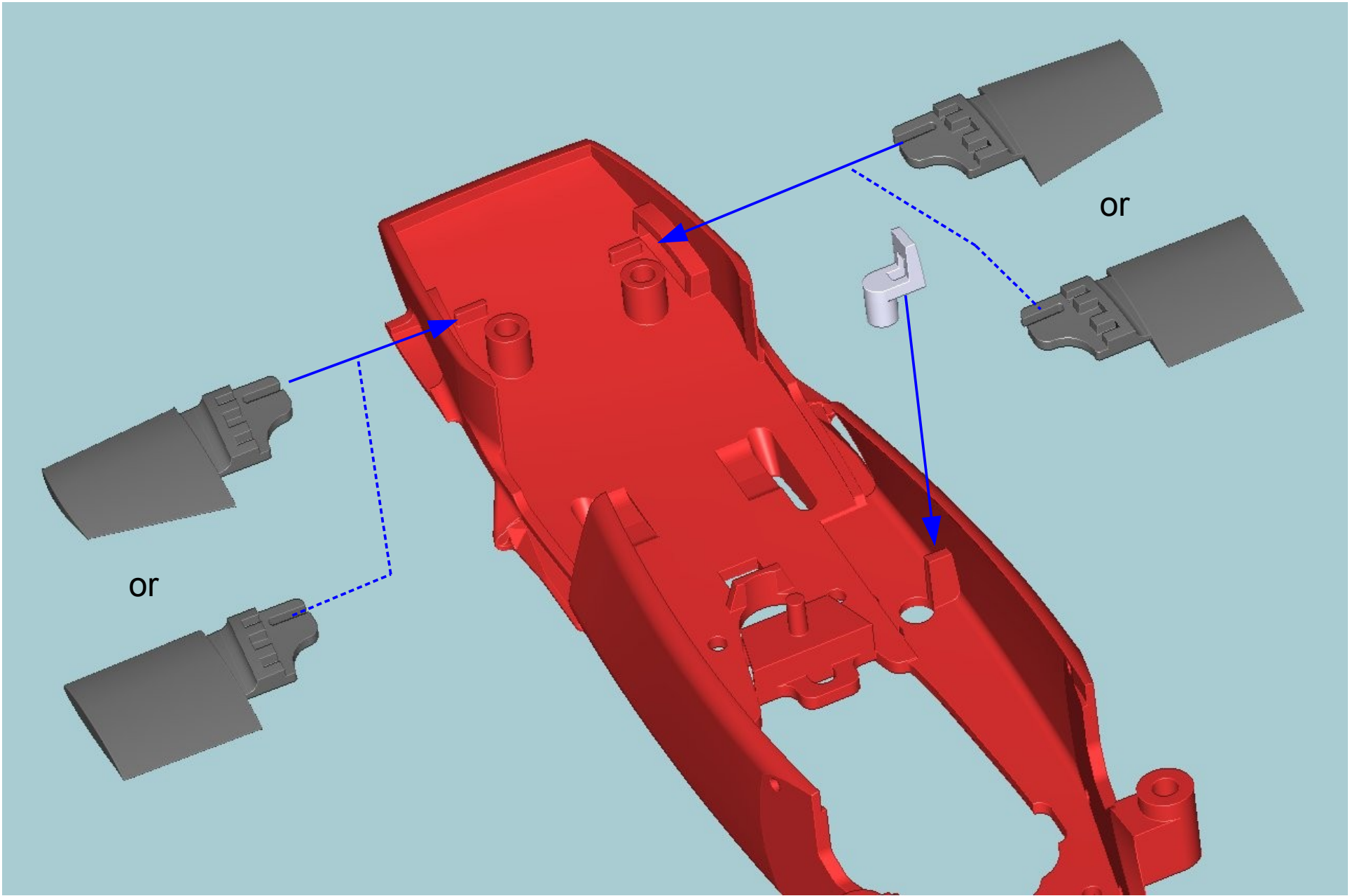
CUT

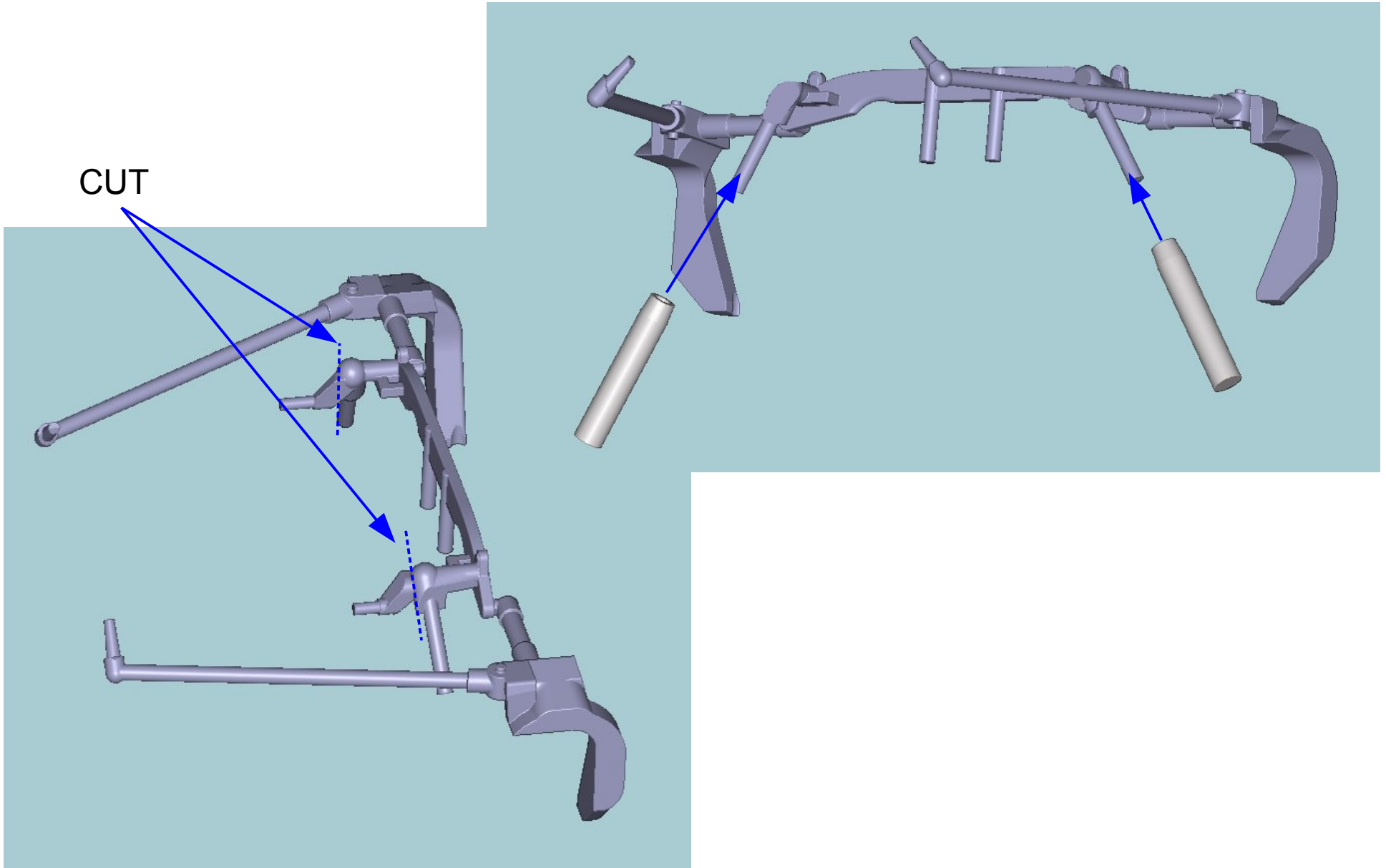


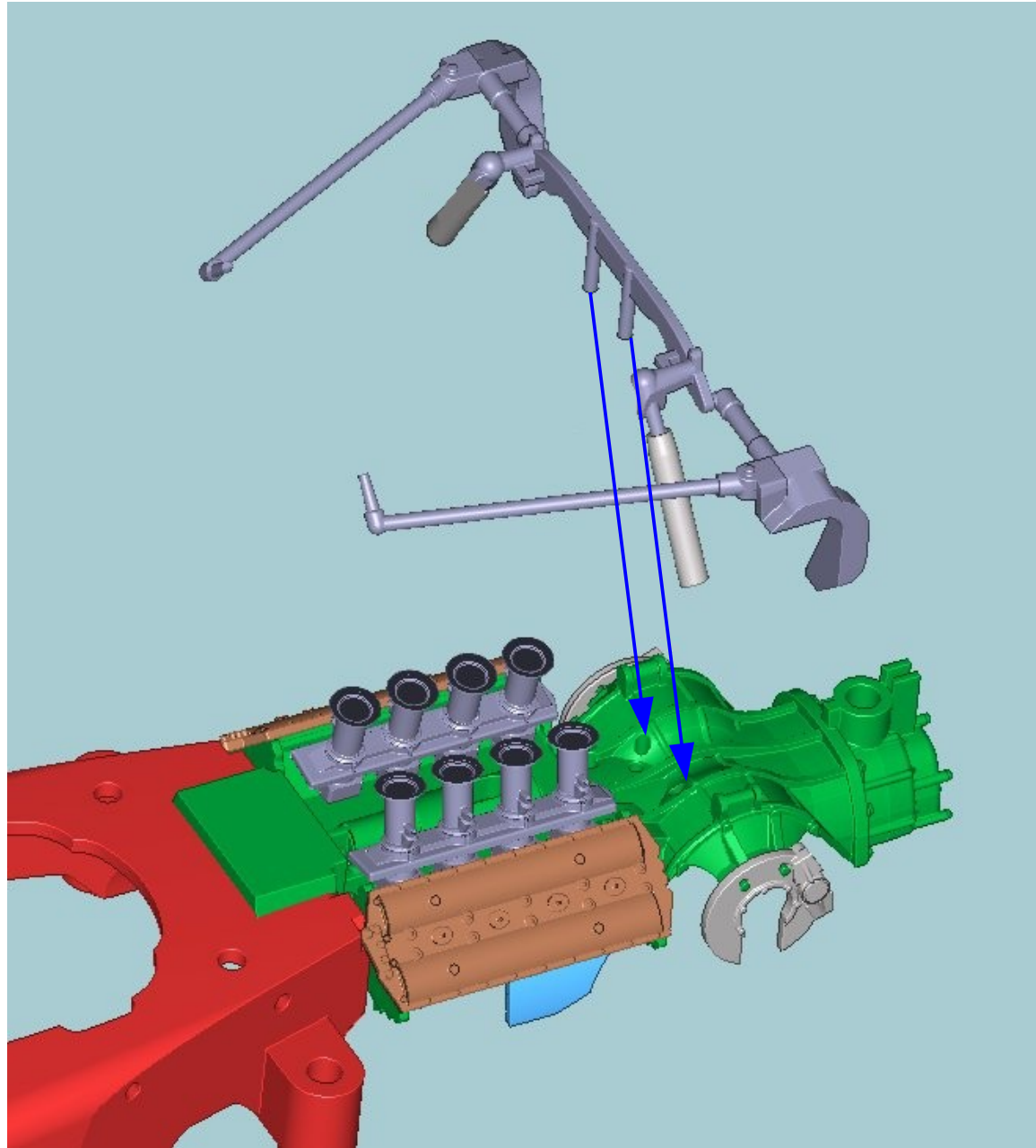


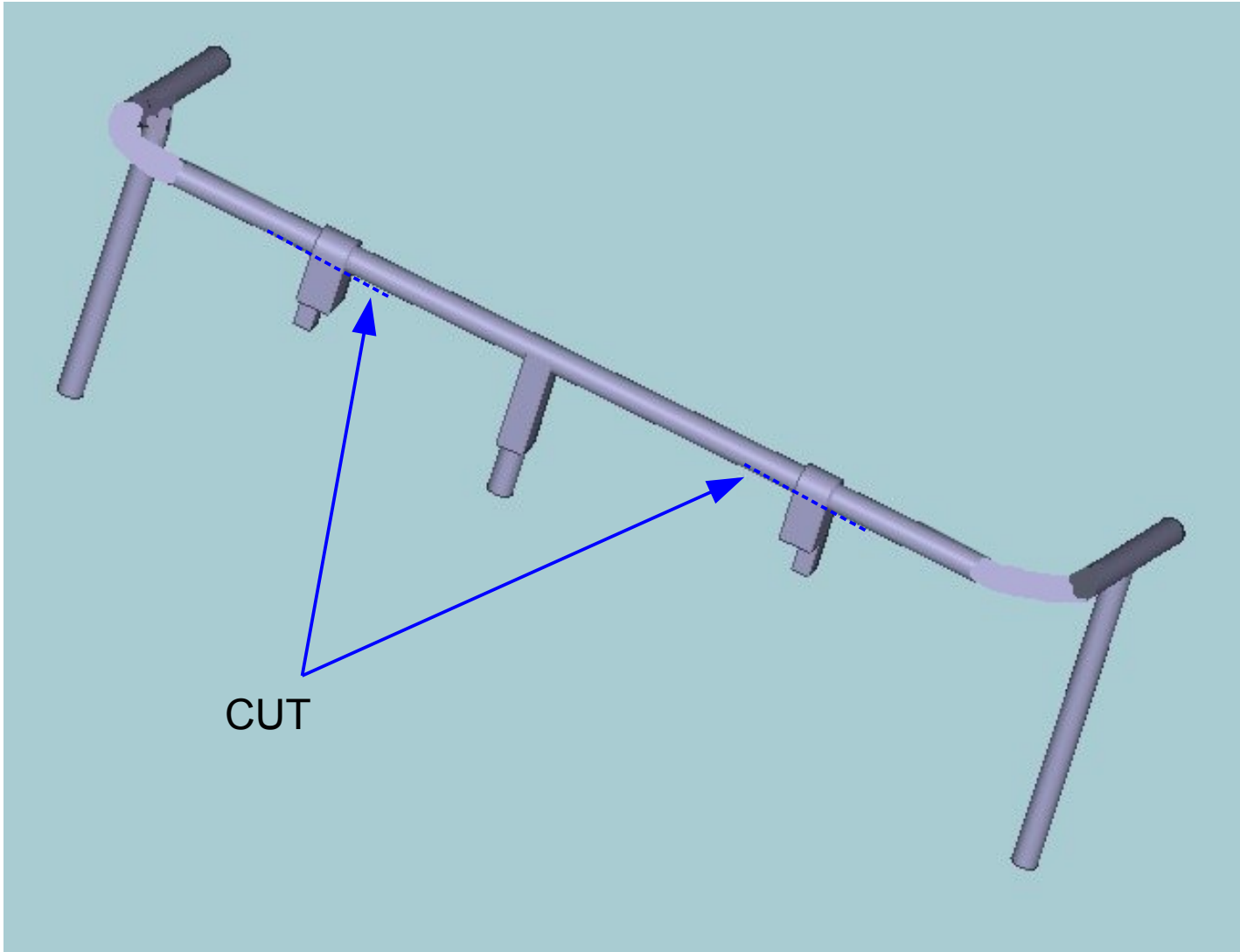


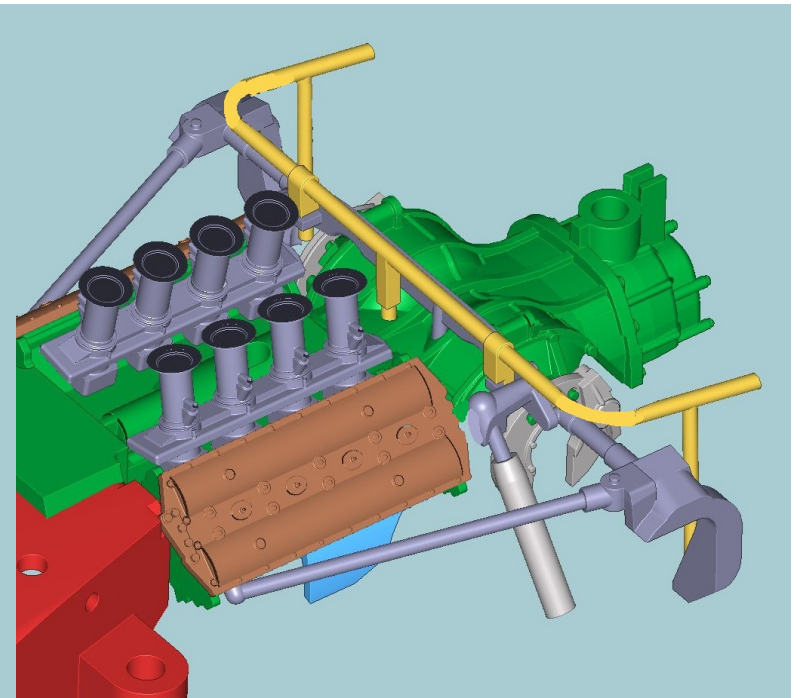
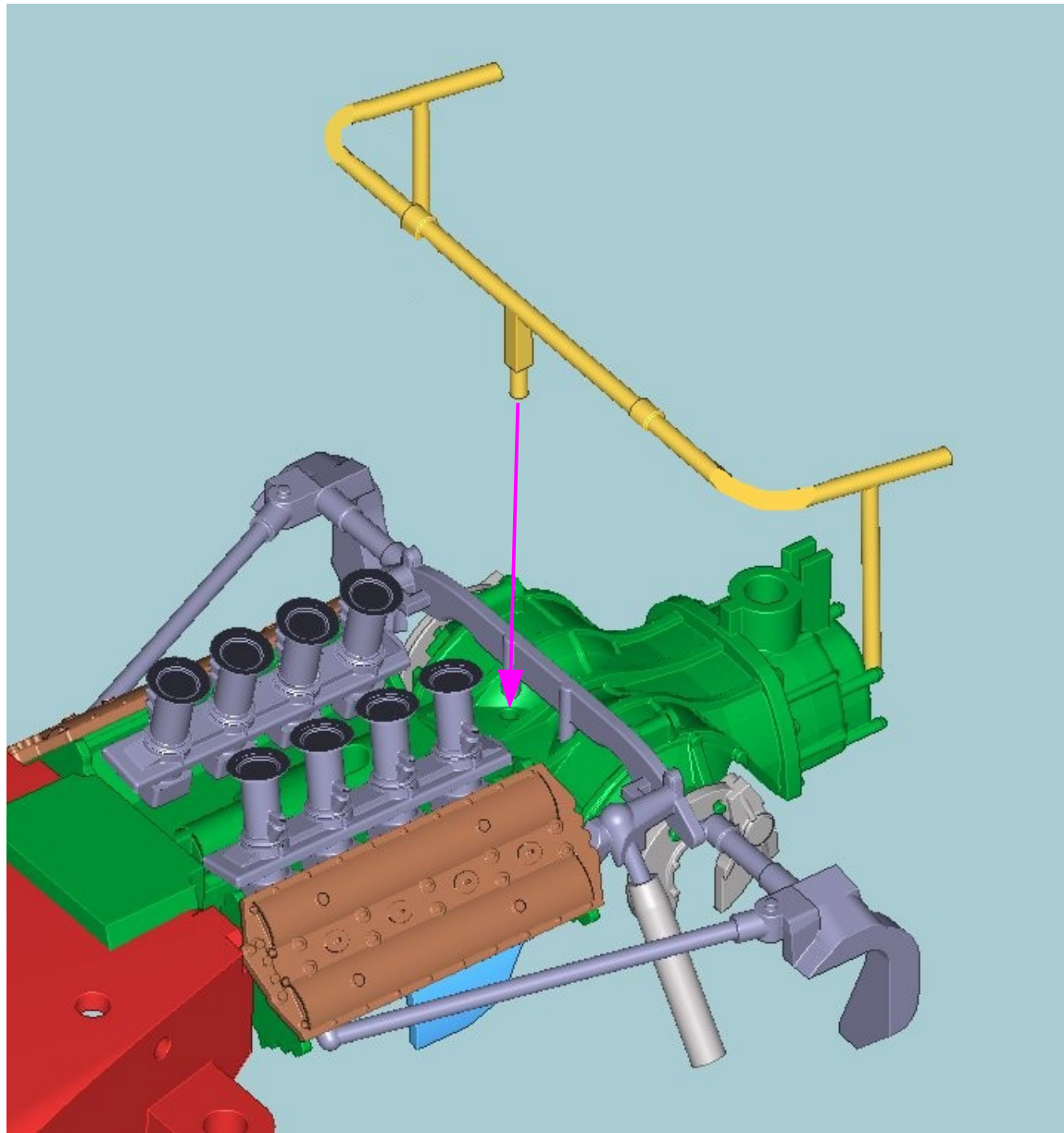


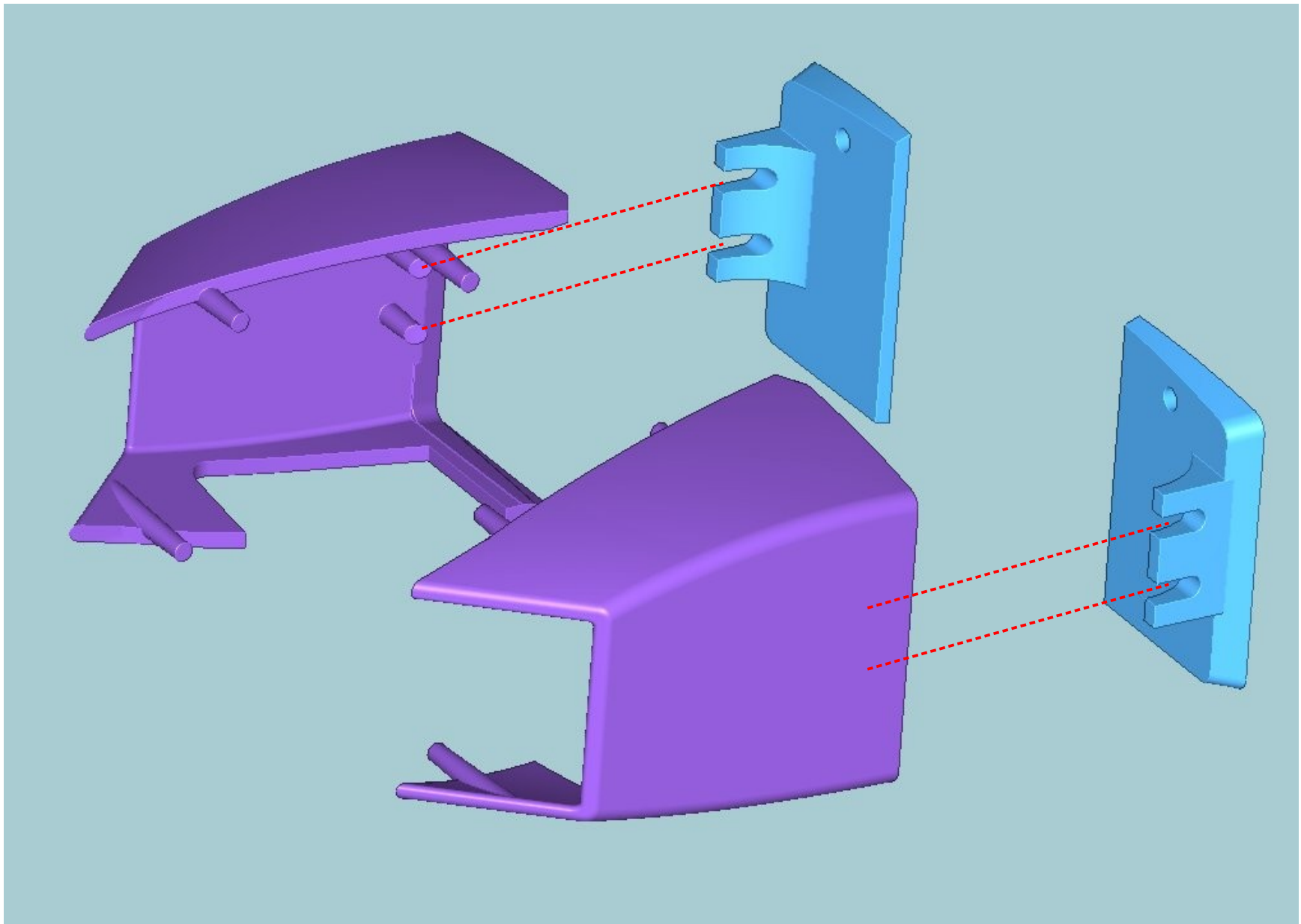


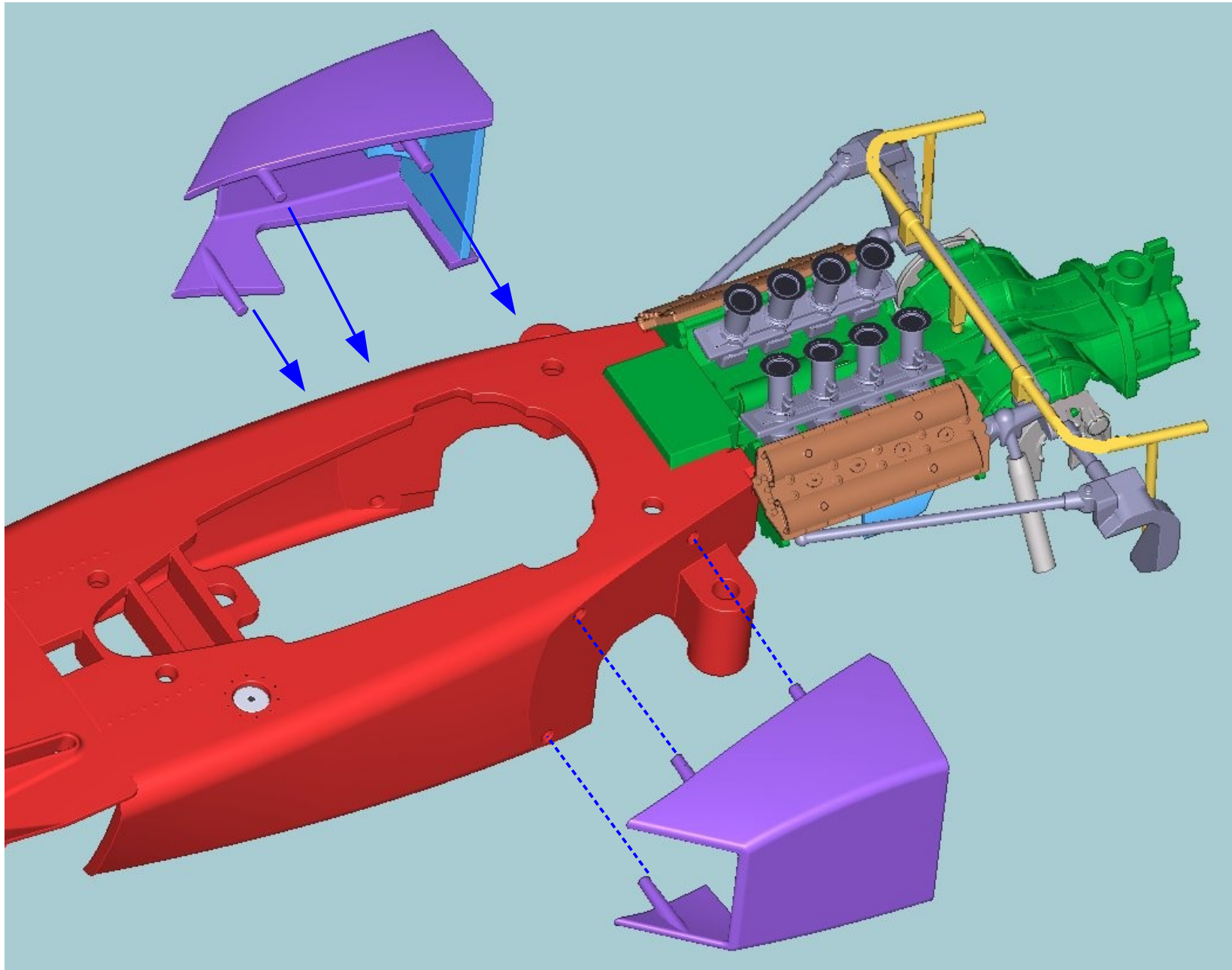


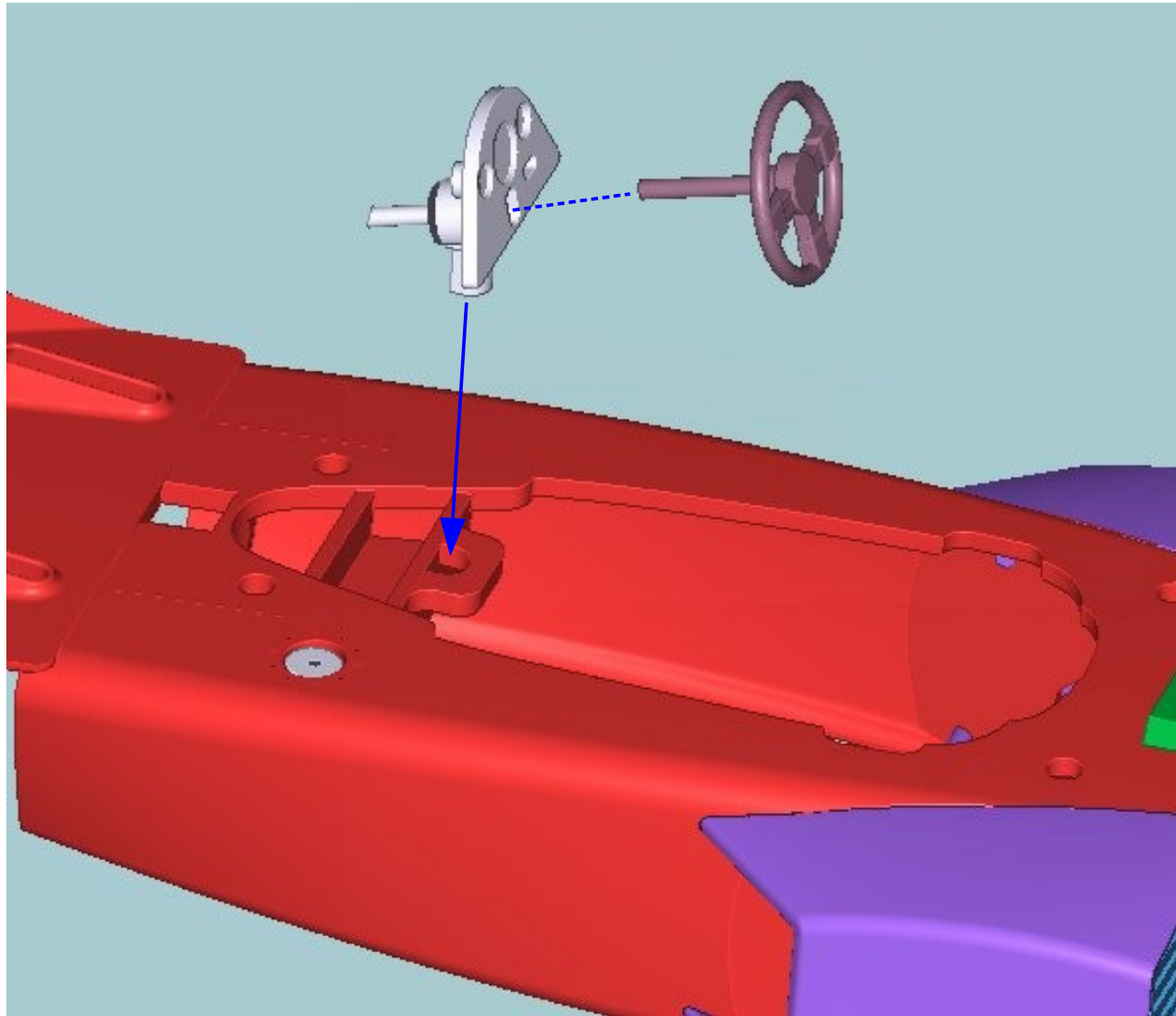


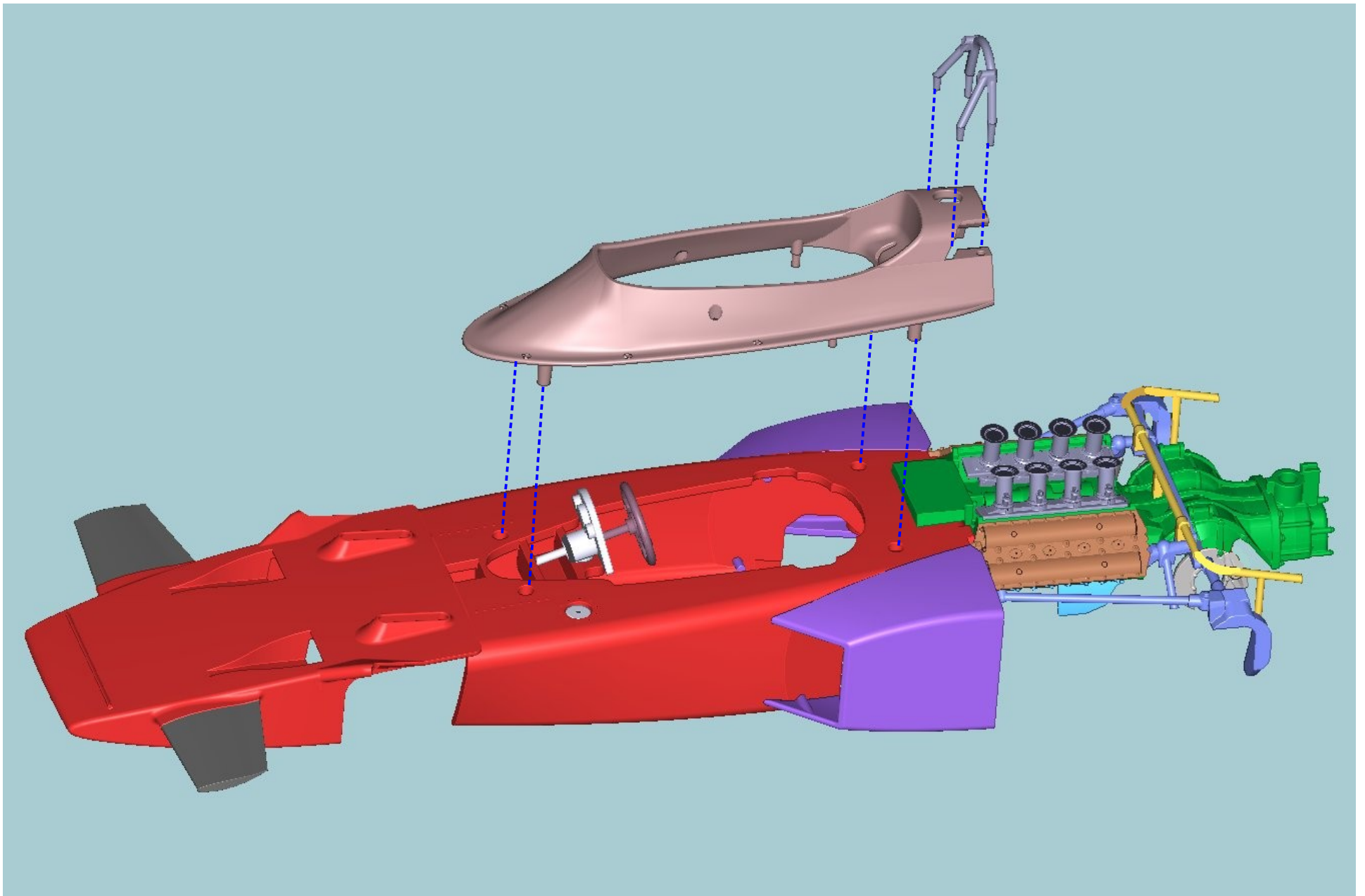






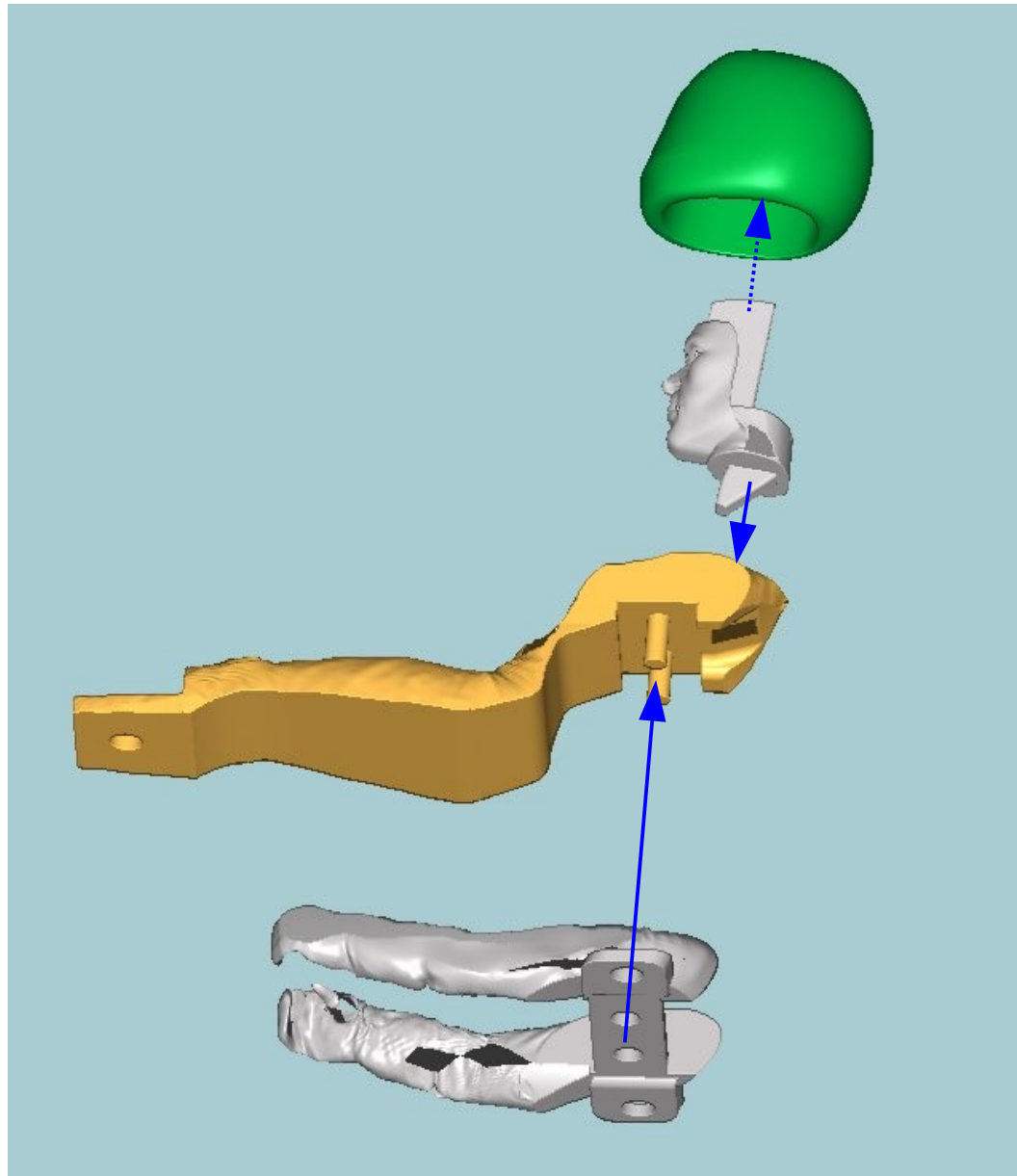


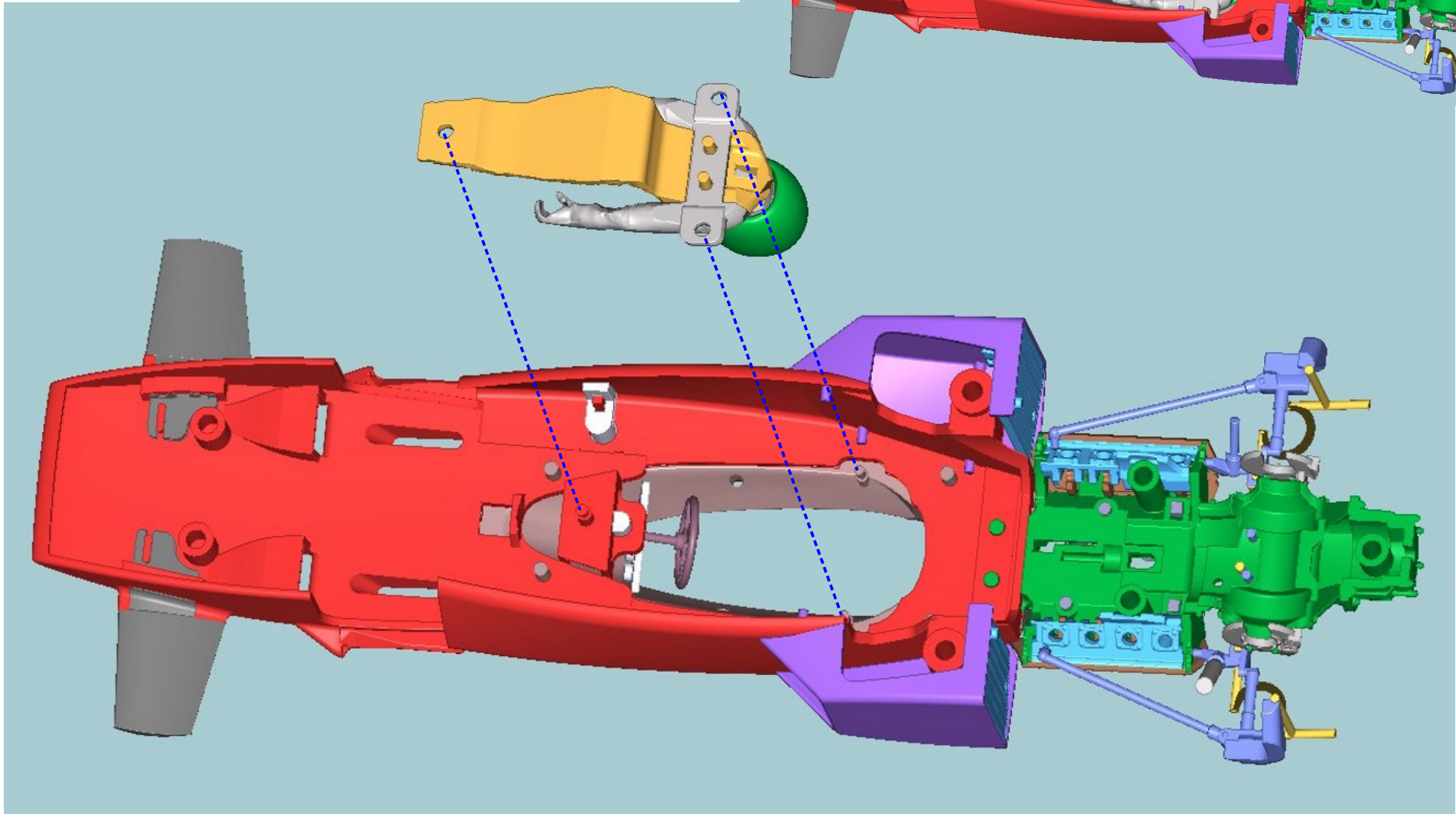


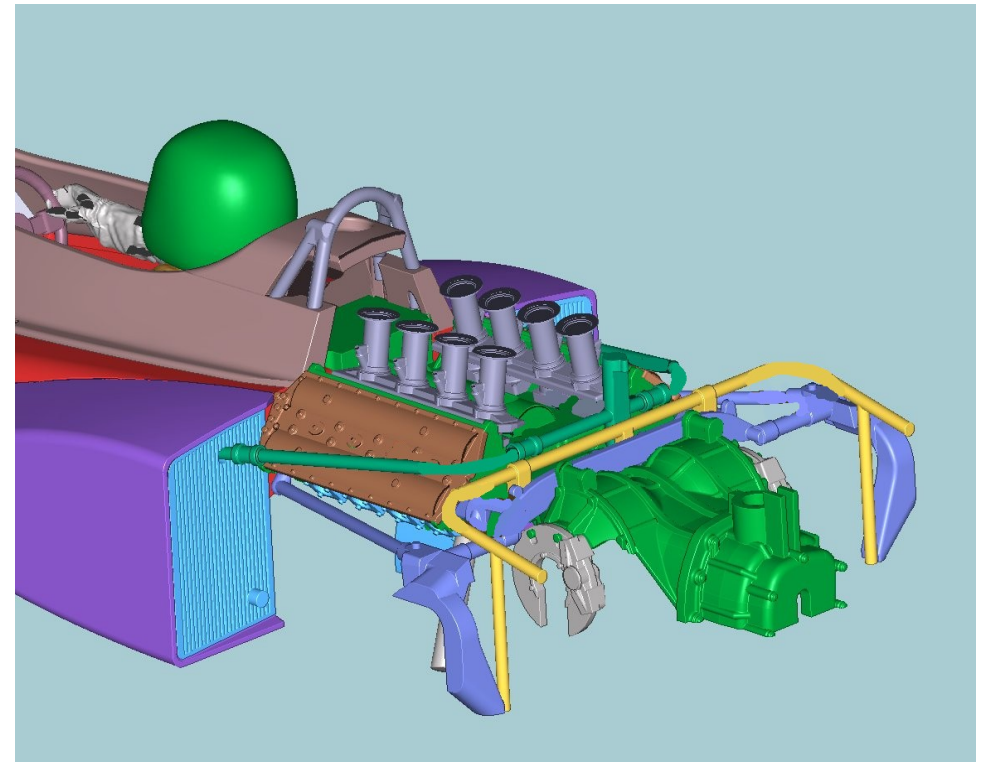
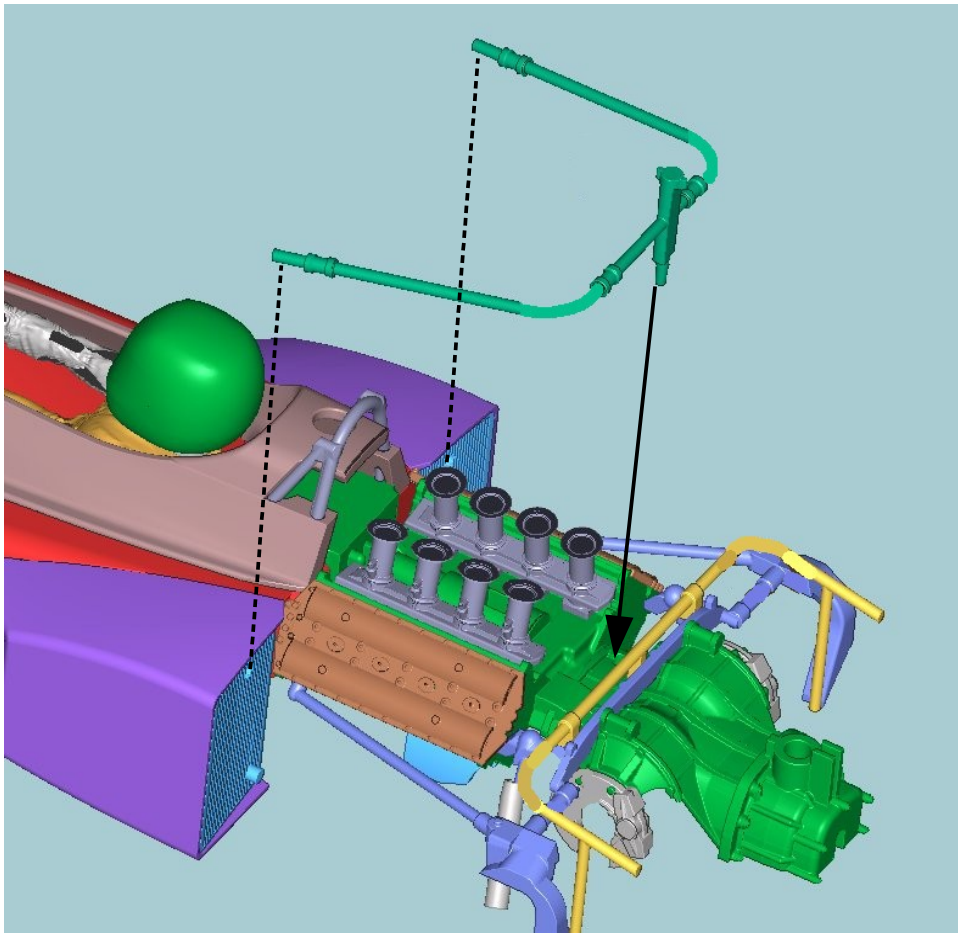


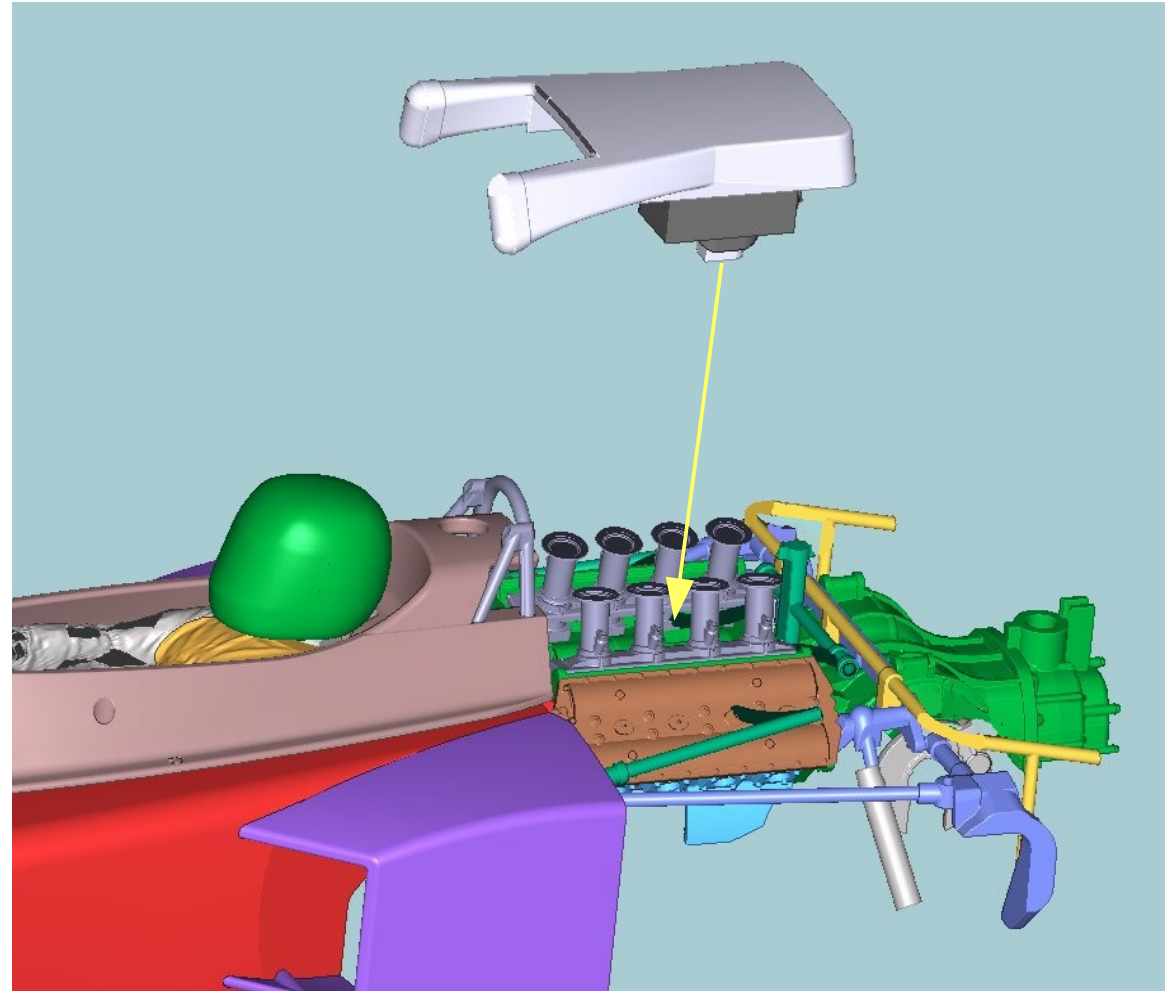
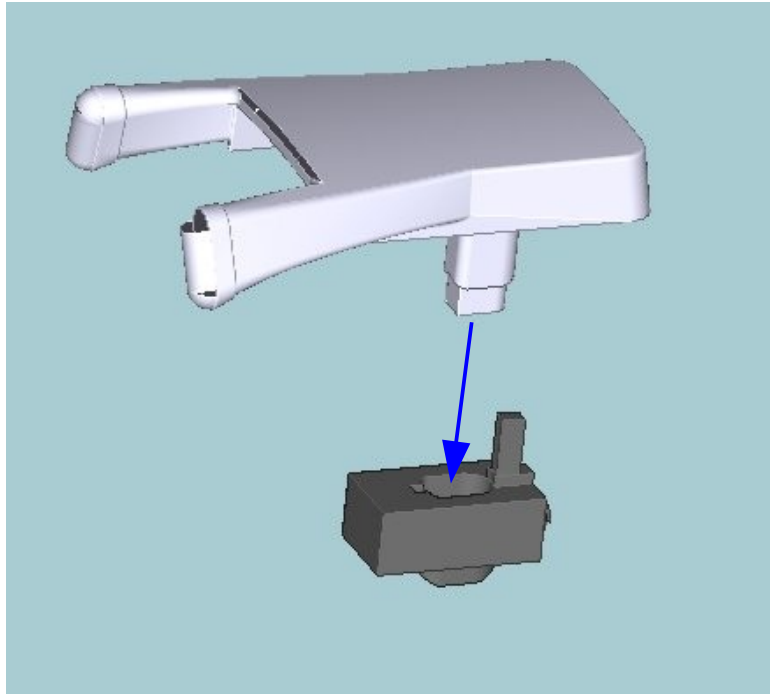
Lotus 72

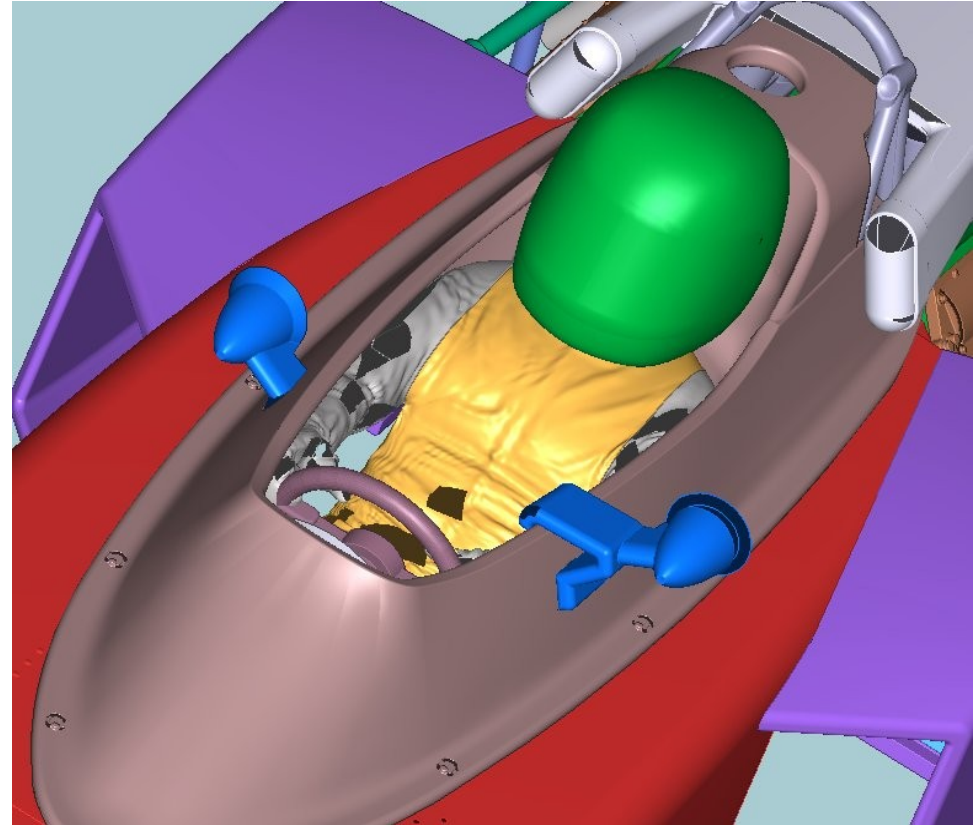
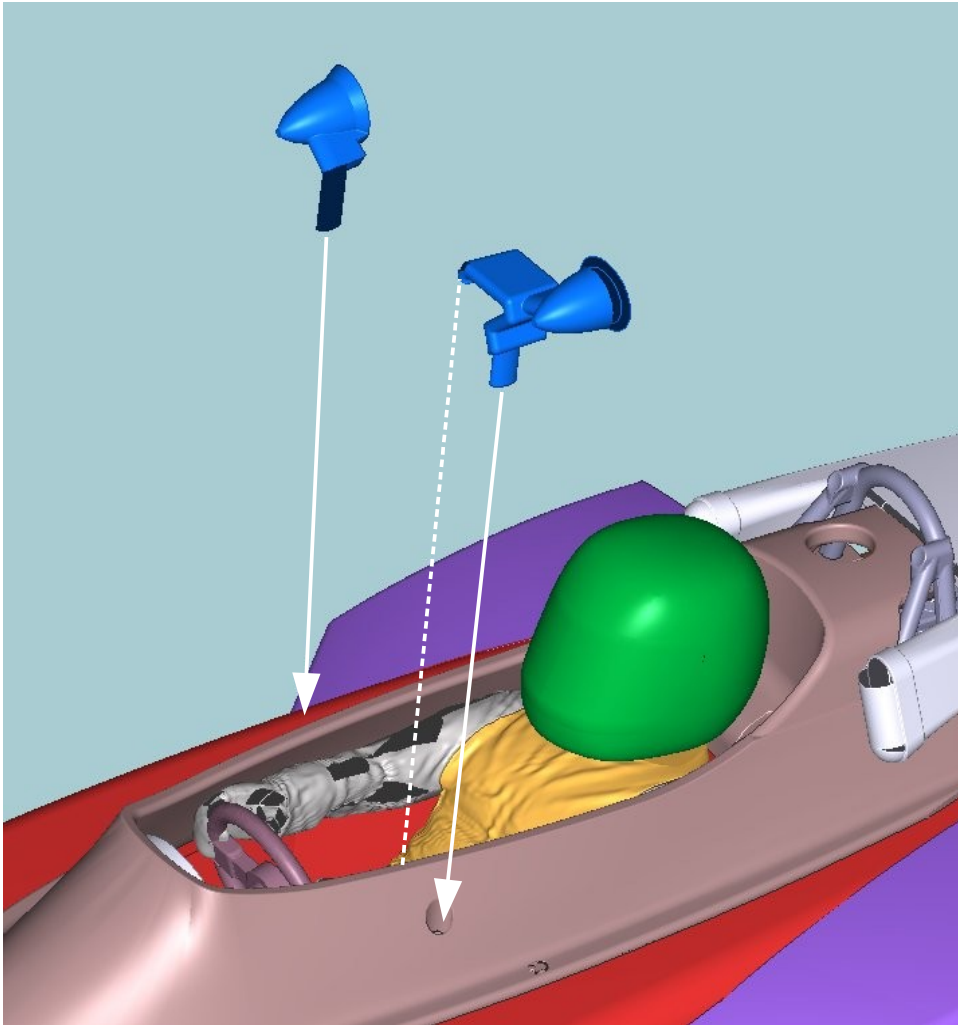


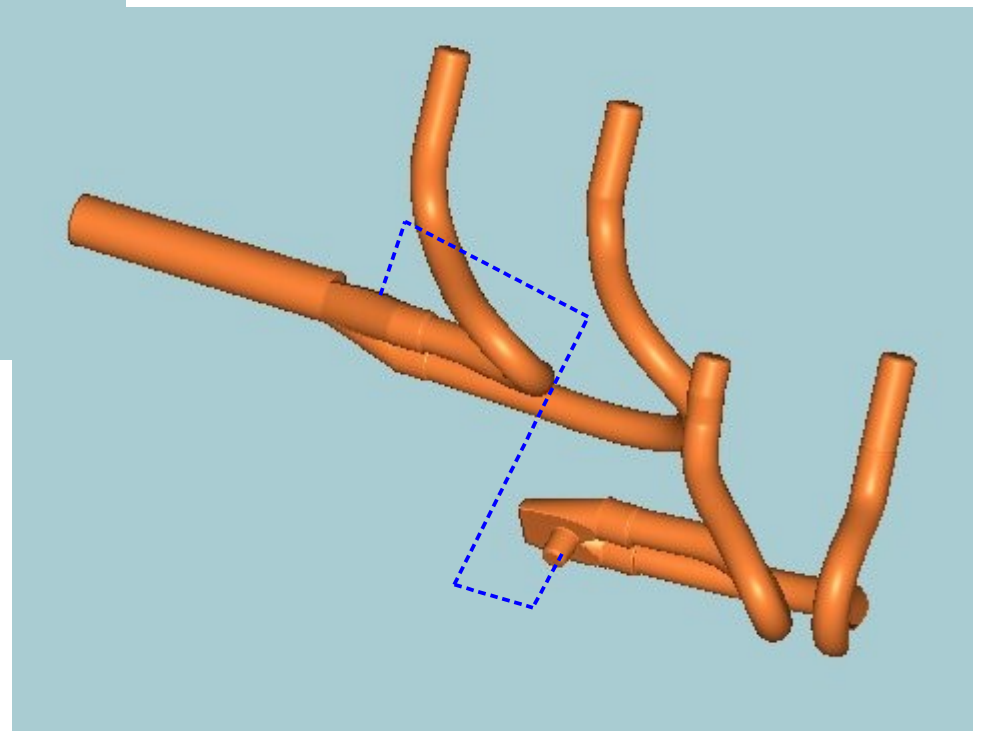
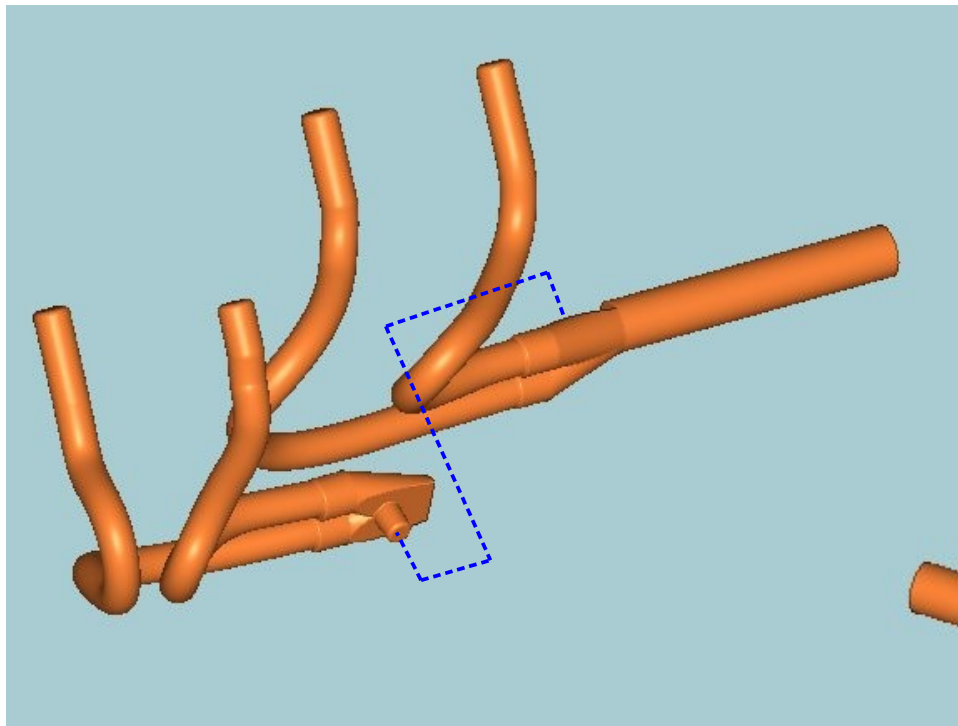


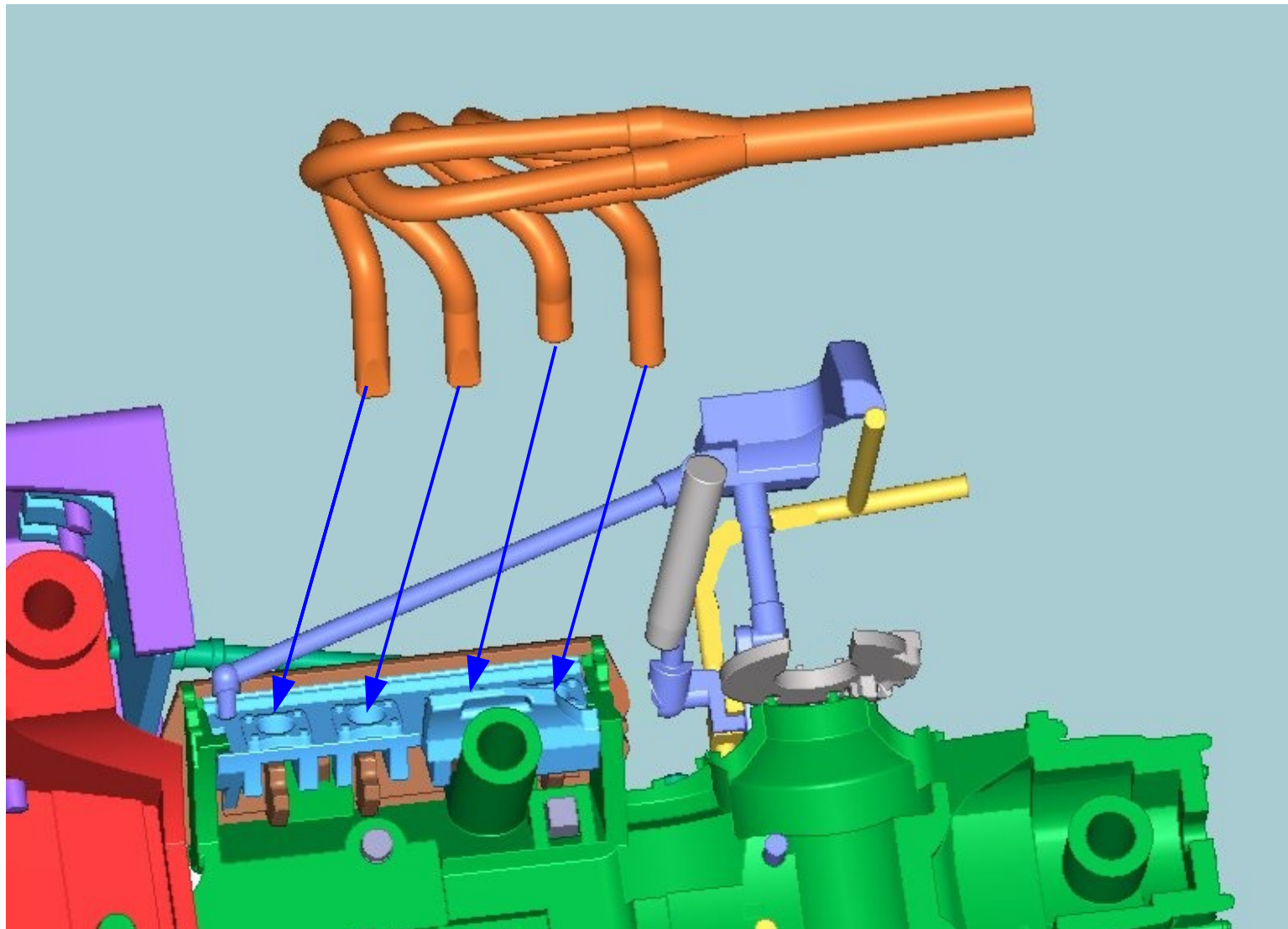


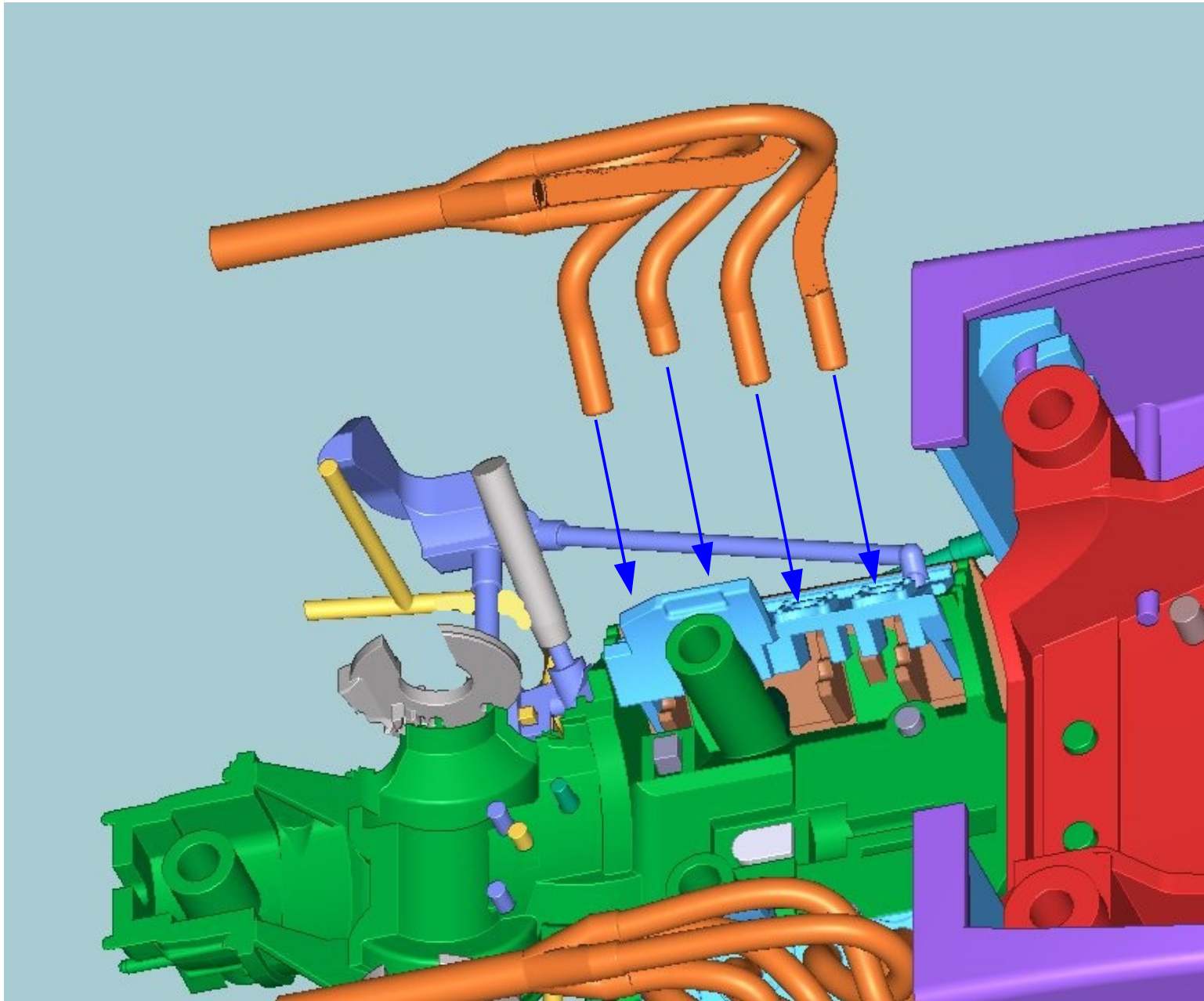


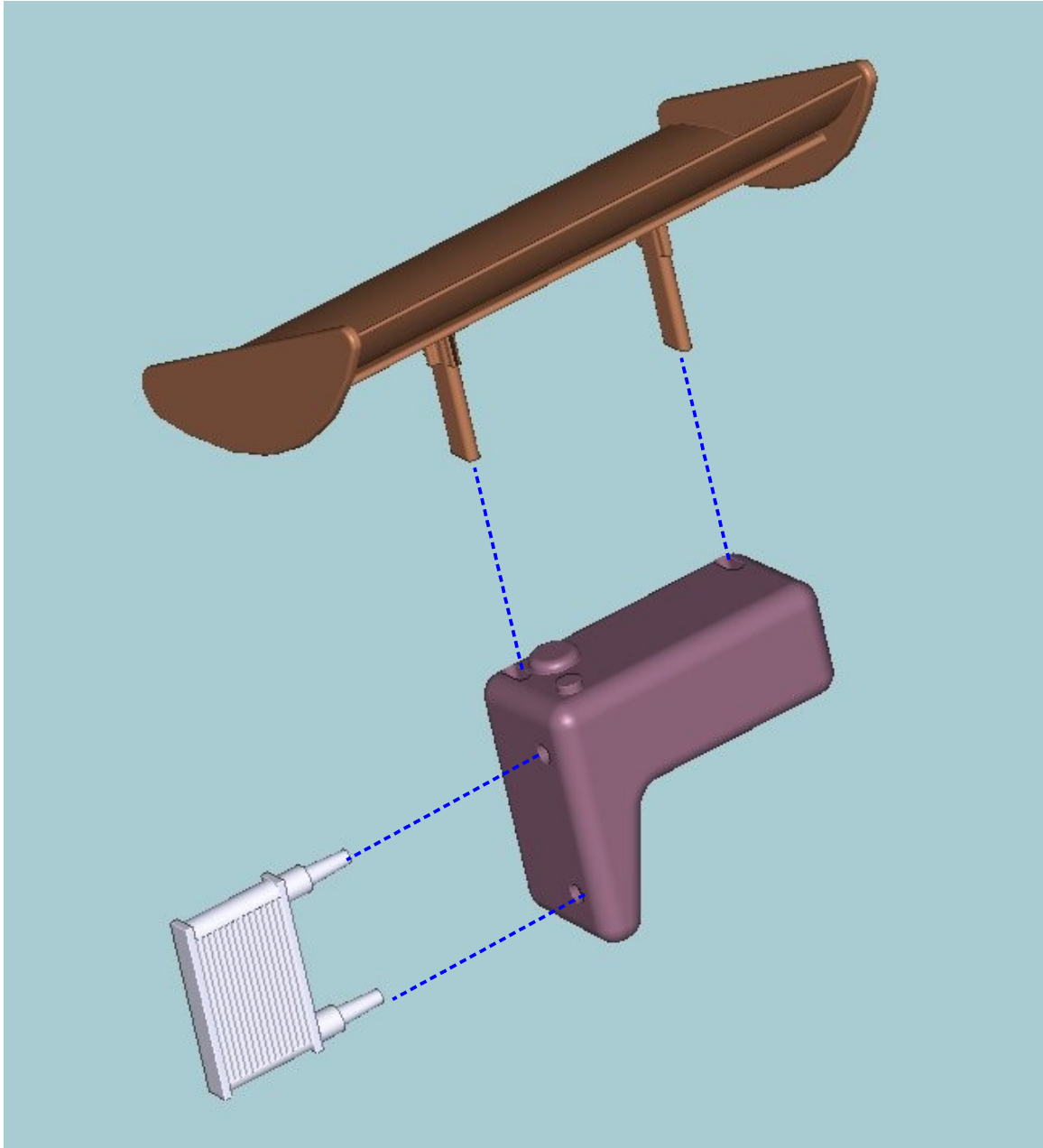


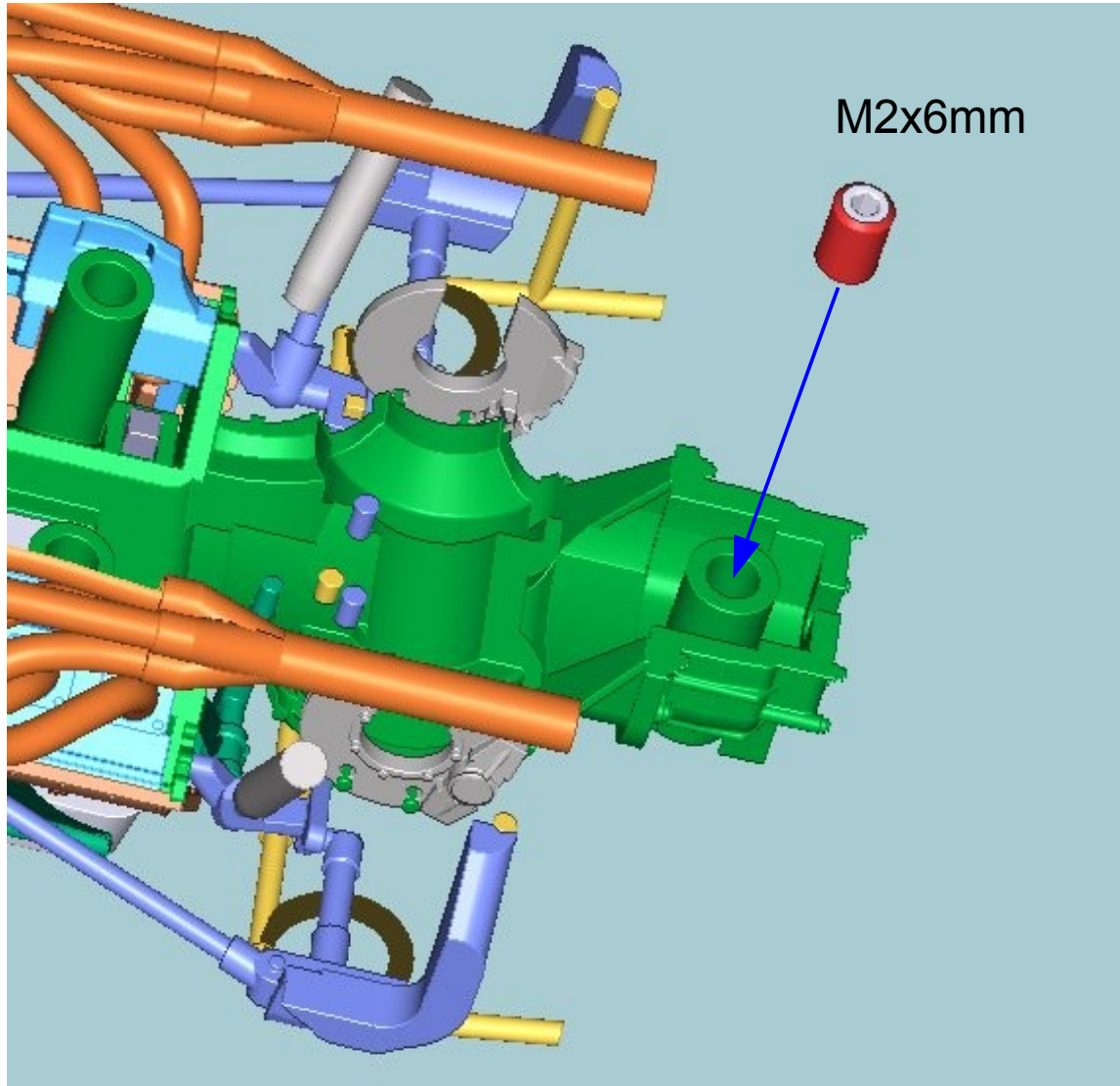


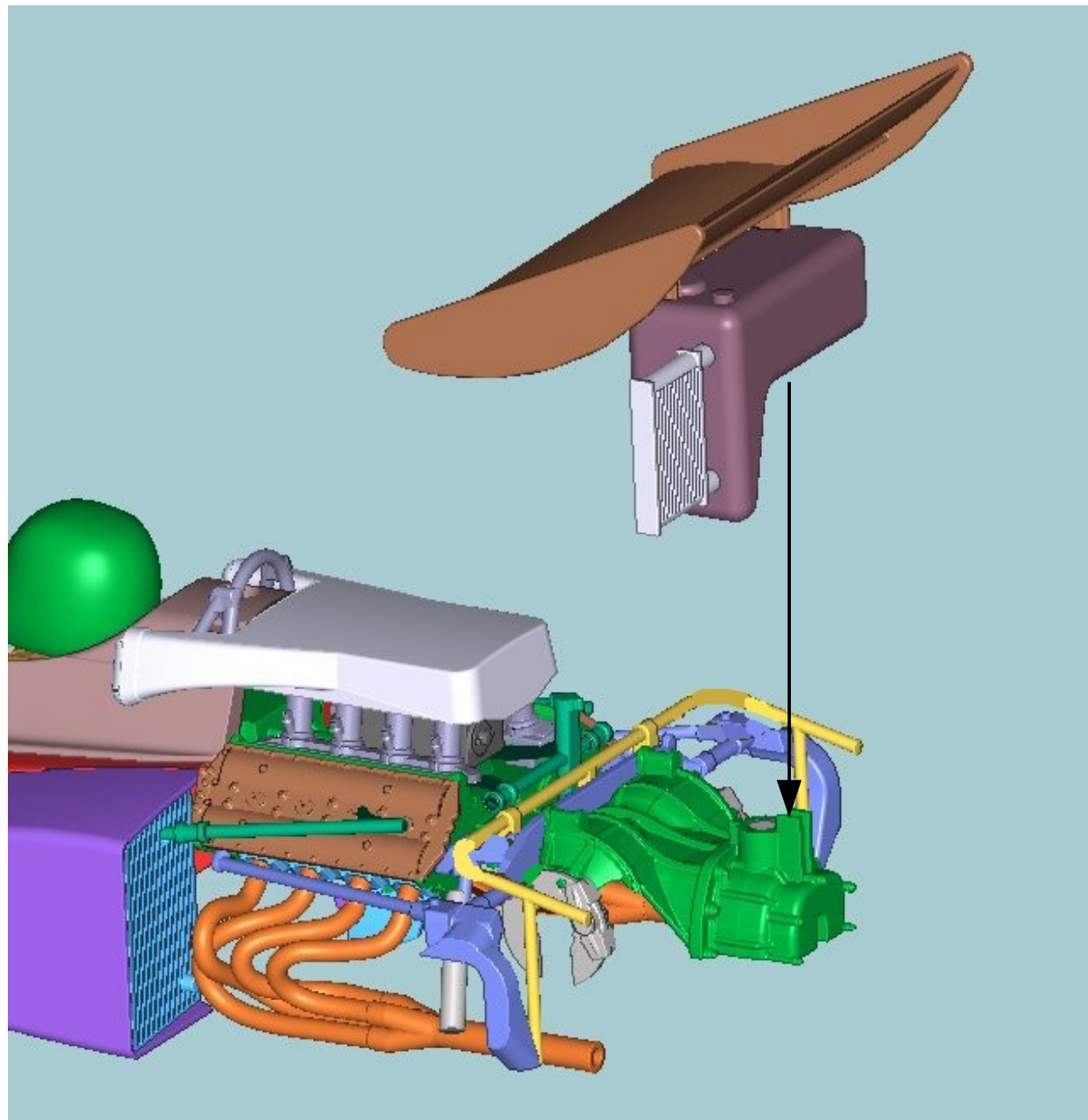


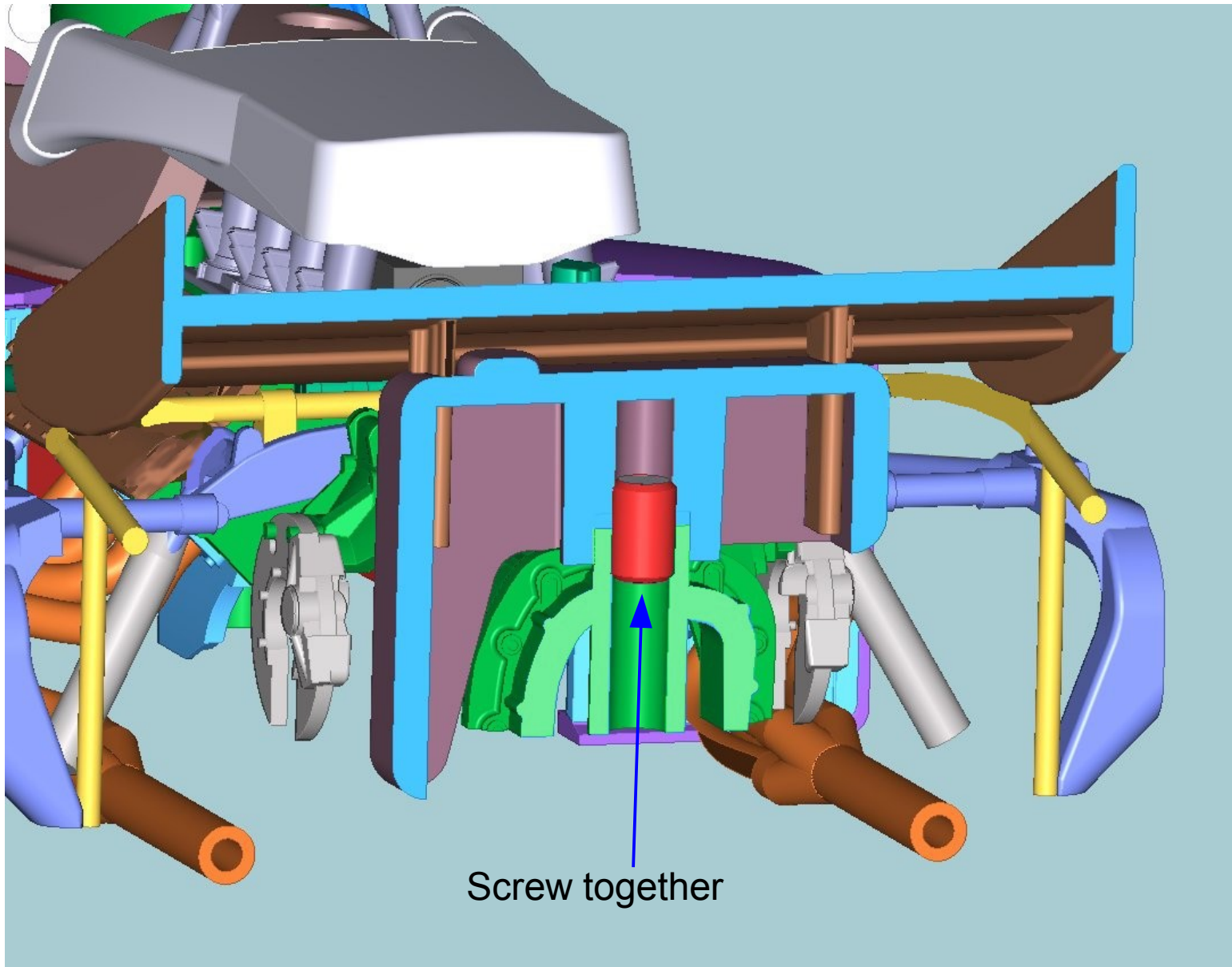












Screw together

